

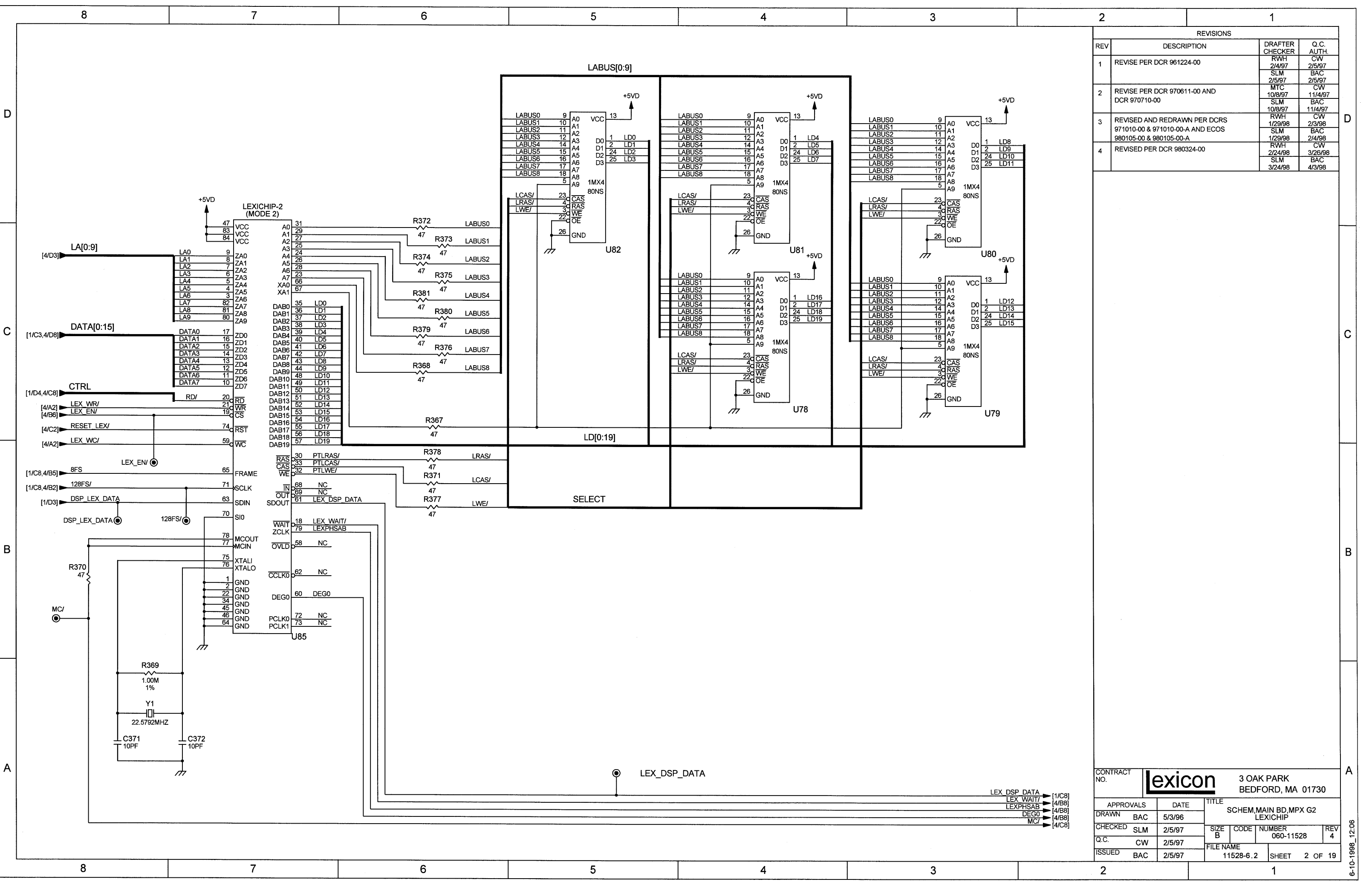
REVISIONS			
REV	DESCRIPTION	DRAFTER CHECKER	Q.C. AUTH.
1	REVISE PER DCR 961224-00	RWH 2/4/97 SLM 2/5/97	CW 2/5/97 BAC 2/5/97
2	REVISE PER DCR 970611-00 AND DCR 970710-00	MTC 10/8/97 SLM 10/8/97	CW 11/4/97 BAC 11/4/97
3	REVISED AND REDRAWN PER DCRS 971010-00 & 971010-00-A AND ECOS 980105-00 & 980105-00-A	RWH 1/29/98 SLM 1/29/98	CW 2/3/98 BAC 2/4/98
4	REVISED PER DCRS 980223-00 & 980324-00	RWH 2/24/98 SLM 3/24/98	CW 3/26/98 BAC 4/3/98
5	REVISED SHEETS 7,9,11,17 PER ECO 980430-00	CW 5/1/98 SLM 5/1/98	RWH 5/1/98 BAC 5/1/98
6	REVISED SHEETS 6 & 13 PER ECO 980529-00 AND SHEETS 5-7, 9, 11-12, 17 & 19 PER ECO 980609-00	RWH 6/9/98 SLM 6/10/98	CW 6/12/98 BAC 6/12/98
7	REVISED SHEETS 12 & 14 PER ECO 980707-00	RWH 7/10/98 BAC 7/13/98	CW 7/10/98 BAC 7/13/98
8	REVISED SHEETS 5, 7, 12 & 17 PER ECO 980724-00	RWH 8/3/98 SLM 8/4/98	CW 8/5/98 JW 8/6/98
9	REVISED SHEET 18 PER ECO 980925-00	CW 10/6/98 PJM 10/6/98	RWH 10/6/98 PJM 10/6/98

- NOTES**
- UNLESS OTHERWISE INDICATED, RESISTORS ARE 1/10W.
 - UNLESS OTHERWISE INDICATED, RESISTORS ARE 5%.
 - UNLESS OTHERWISE INDICATED, CAPACITORS ARE UFV.
 - DIGITAL GROUND
 ANALOG GROUND
 CHASSIS GROUND
 POWER GROUND
 - [XXX] DENOTES [SHEET NUMBER/SECTOR].
 - LAST REFERENCE DESIGNATORS USED:
BAT1, C420, D69, FB16, J22, Q61, R455, RY1, U104, W4, Y3.
 - NOT INSTALLED: R387, R389

DOCUMENT CONTROL BLOCK: #060-11528	
SHEET NUMBER	REVISION NUMBER
1 OF 19	9
2 OF 19	4
3 OF 19	4
4 OF 19	4
5 OF 19	6
6 OF 19	5
7 OF 19	7
8 OF 19	4
9 OF 19	6
10 OF 19	4
11 OF 19	6
12 OF 19	7
13 OF 19	5
14 OF 19	5
15 OF 19	4
16 OF 19	4
17 OF 19	7
18 OF 19	5
19 OF 19	5

CONTRACT NO.	lexicon	3 OAK PARK BEDFORD, MA 01730
APPROVALS	DATE	TITLE
DRAWN BAC	5/3/96	SCHEM.MAIN BD.MPX G2 Z80, DSP
CHECKED SLM	2/5/97	SIZE B CODE NUMBER 060-11528 REV 9
Q.C. CW	2/5/97	FILE NAME
ISSUED BAC	2/5/97	11528-8.1 SHEET 1 OF 19

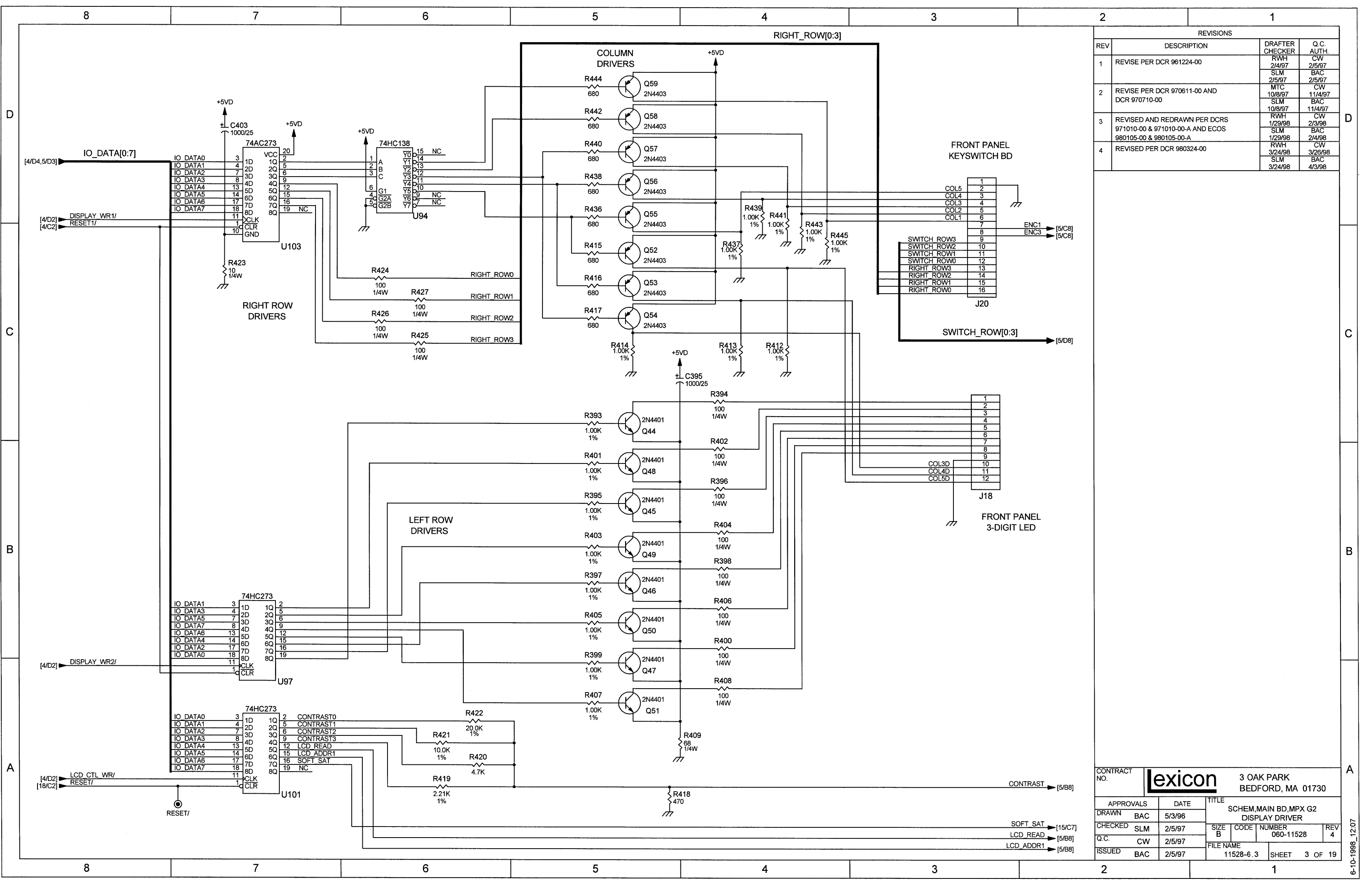
10-6-1998 17:59



REVISIONS			
REV	DESCRIPTION	DRAFTER CHECKER	Q.C. AUTH.
1	REVISE PER DCR 961224-00	RWH 2/4/97	CW 2/5/97
2	REVISE PER DCR 970611-00 AND DCR 970710-00	SLM 2/5/97	BAC 2/5/97
3	REVISED AND REDRAWN PER DCRS 971010-00 & 971010-00-A AND ECOS 980105-00 & 980105-00-A	MTC 10/8/97	CW 11/4/97
4	REVISED PER DCR 980324-00	RWH 1/29/98	CW 2/3/98
		SLM 2/24/98	BAC 3/26/98
		SLM 3/24/98	BAC 4/3/98

CONTRACT NO.		lexicon		3 OAK PARK BEDFORD, MA 01730	
APPROVALS	DATE	TITLE			
DRAWN BAC	5/3/96	SCHEM,MAIN BD,MPX G2 LEXICHIP			
CHECKED SLM	2/5/97	SIZE B	CODE	NUMBER 060-11528	REV 4
Q.C. CW	2/5/97	FILE NAME			
ISSUED BAC	2/5/97	11528-6.2		SHEET	2 OF 19

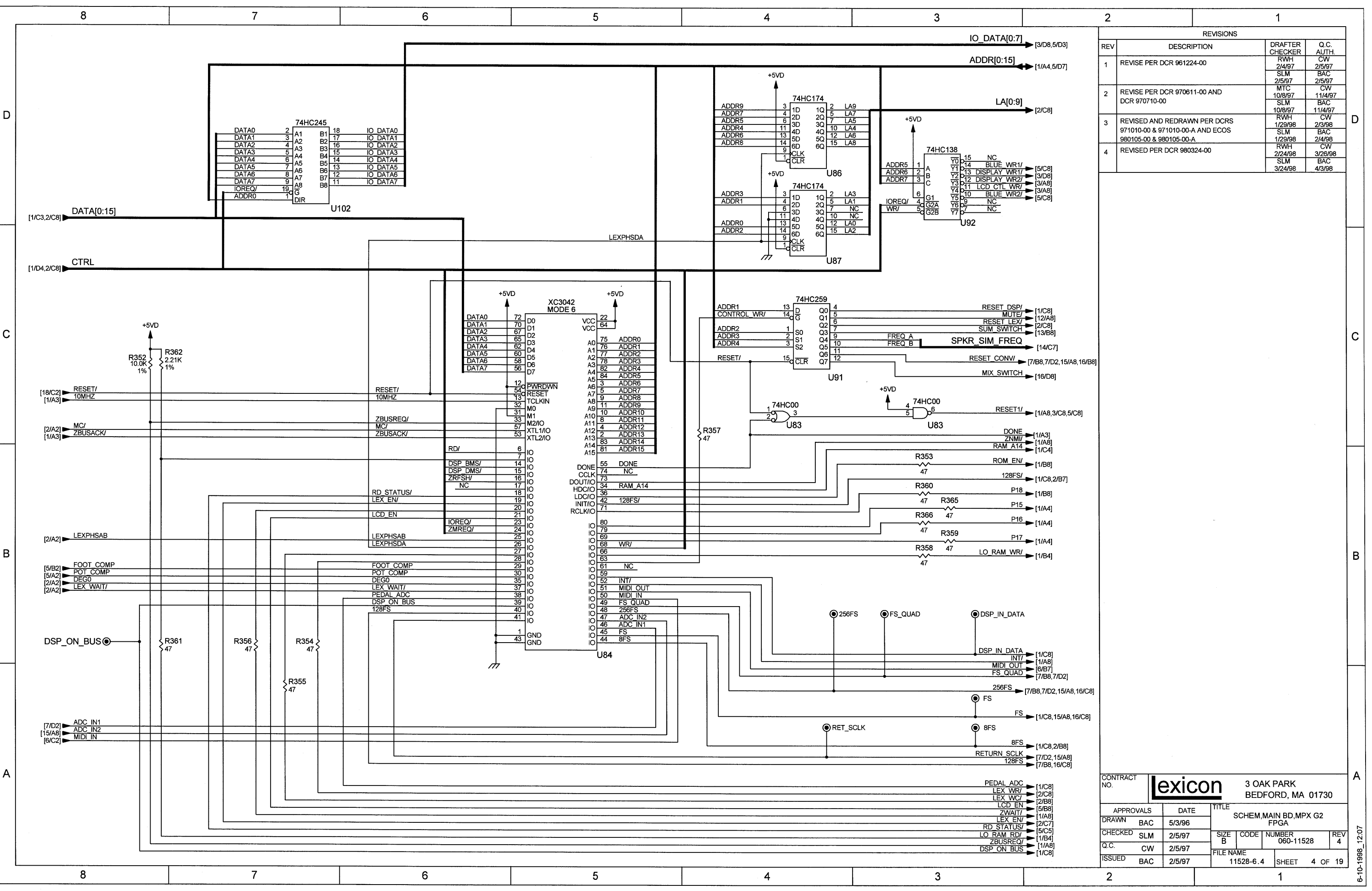
6-10-1998_12:06



REVISIONS			
REV	DESCRIPTION	DRAFTER CHECKER	Q.C. AUTH.
1	REVISE PER DCR 961224-00	RWH 2/4/97 SLM 2/5/97	CW 2/5/97 BAC 2/5/97
2	REVISE PER DCR 970611-00 AND DCR 970710-00	MTC 10/8/97 SLM 10/8/97	CW 11/4/97 BAC 11/4/97
3	REVISED AND REDRAWN PER DCRS 971010-00 & 971010-00-A AND ECOS 980105-00 & 980105-00-A	RWH 1/29/98 SLM 1/29/98	CW 2/3/98 BAC 2/4/98
4	REVISED PER DCR 980324-00	RWH 3/24/98 SLM 3/24/98	CW 3/26/98 BAC 4/3/98

CONTRACT NO.		lexicon		3 OAK PARK BEDFORD, MA 01730	
APPROVALS	DATE	TITLE			
DRAWN	BAC 5/3/96	SCHEM, MAIN BD, MPX G2 DISPLAY DRIVER			
CHECKED	SLM 2/5/97	SIZE	CODE	NUMBER	REV
Q.C.	CW 2/5/97	B		060-11528	4
ISSUED	BAC 2/5/97	FILE NAME	SHEET 3 OF 19		
		11528-6.3			

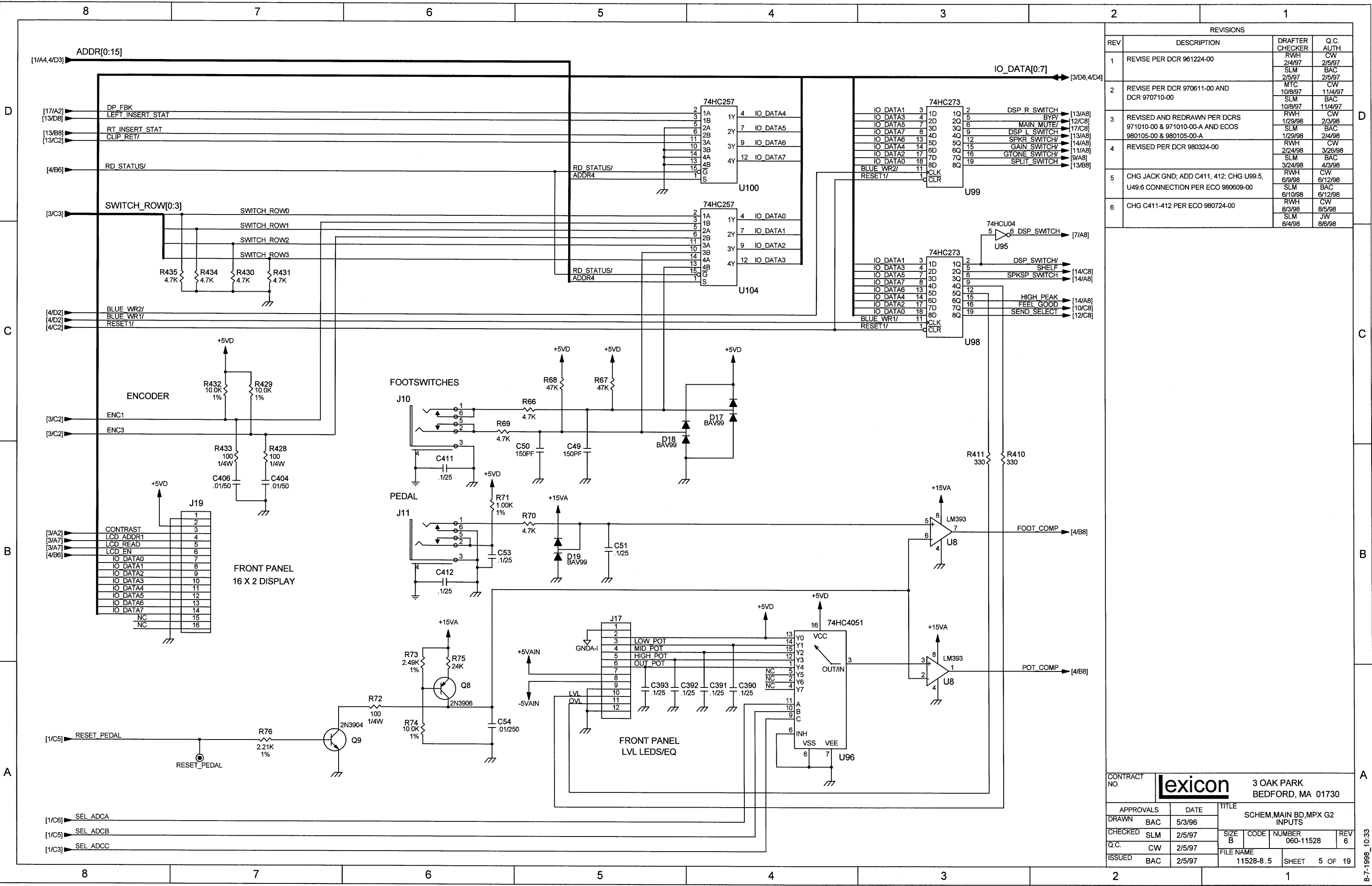
6-10-1998_12:07



REVISIONS			
REV	DESCRIPTION	DRAFTER CHECKER	Q.C. AUTH.
1	REVISE PER DCR 961224-00	RWH SLM 2/4/97 2/5/97	CW BAC 2/5/97
2	REVISE PER DCR 970611-00 AND DCR 970710-00	MTC SLM 10/8/97 10/8/97	CW BAC 11/4/97
3	REVISED AND REDRAWN PER DCRS 971010-00 & 971010-00-A AND ECOS 980105-00 & 980105-00-A	RWH SLM 1/29/98 1/29/98	CW BAC 2/3/98
4	REVISED PER DCR 980324-00	RWH SLM 2/24/98 3/24/98	CW BAC 3/26/98 4/3/98

CONTRACT NO.		lexicon		3 OAK PARK BEDFORD, MA 01730	
APPROVALS	DATE	TITLE			
DRAWN BAC	5/3/96	SCHEM.MAIN BD.MPX G2 FPGA			
CHECKED SLM	2/5/97	SIZE	CODE	NUMBER	REV
Q.C. CW	2/5/97	B		060-11528	4
ISSUED BAC	2/5/97	FILE NAME		SHEET	
		11528-6.4		4 OF 19	

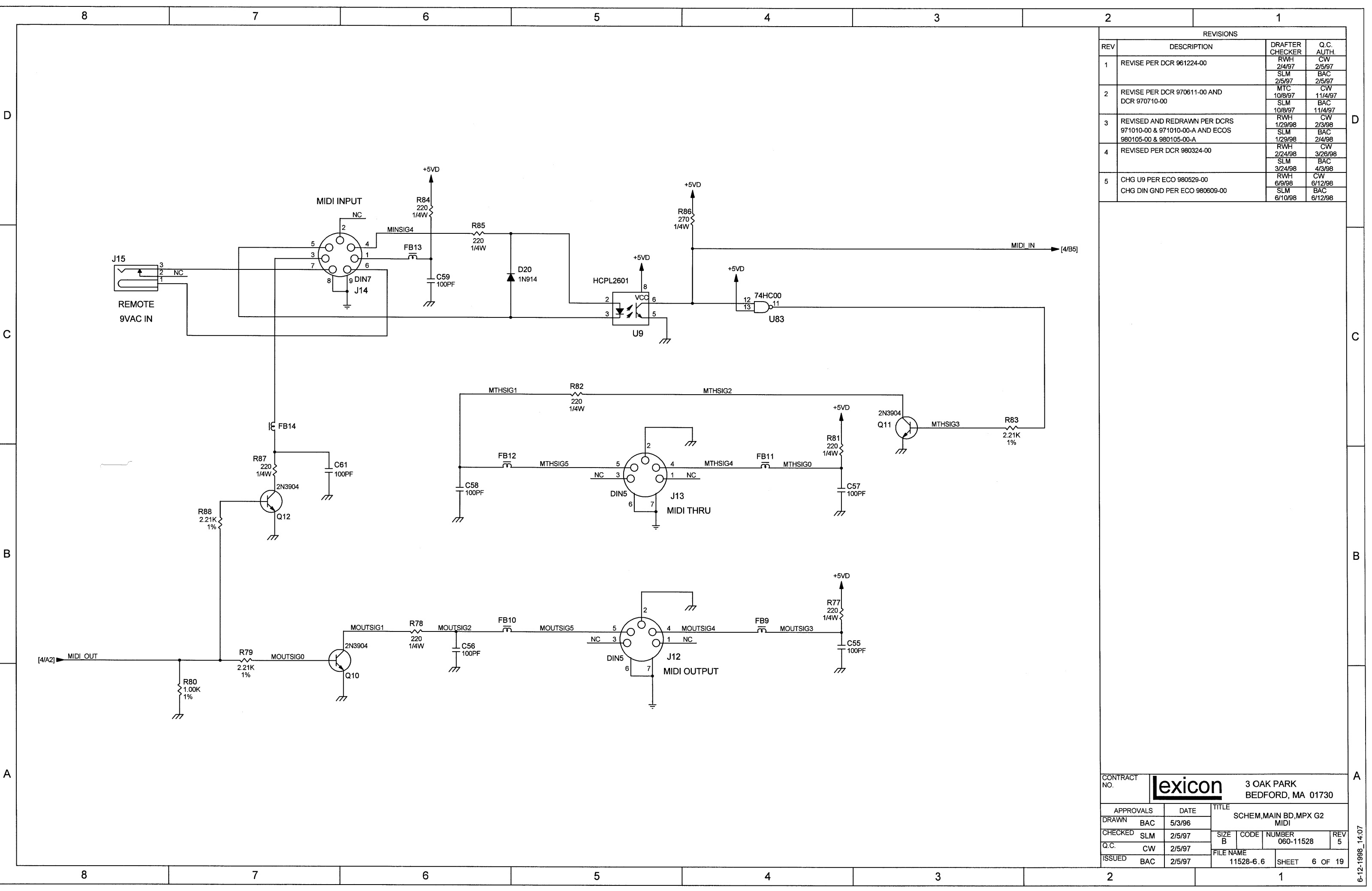
6-10-1998_12:07



REVISIONS			
REV	DESCRIPTION	DRAFTER CHECKER	Q.C. AUTH.
1	REVISE PER DCR 961224-00	RWH SLM	CW BAC
2	REVISE PER DCR 970611-00 AND DCR 970710-00	SLM RWH	CW BAC
3	REVISED AND REDRAWN PER DCRS 971010-00 & 971010-00-A AND ECOS 980105-00 & 980105-00-A	SLM RWH	CW BAC
4	REVISED PER DCR 980324-00	SLM RWH	CW BAC
5	CHG JACK GND; ADD C411, 412; CHG U99.5, U49.6 CONNECTION PER ECO 980609-00	SLM RWH	CW BAC
6	CHG C411-412 PER ECO 980724-00	SLM	CW JW

CONTRACT NO.		lexicon		3 OAK PARK BEDFORD, MA 01730	
APPROVALS	DATE	TITLE			
DRAWN	BAC	SCHEM MAIN BD.MPX G2 INPUTS			
CHECKED	SLM	SIZE	CODE	NUMBER	REV
Q.C.	CW	B		060-11528	6
ISSUED	BAC	FILE NAME			
		11528-8.5	SHEET	5 OF 19	

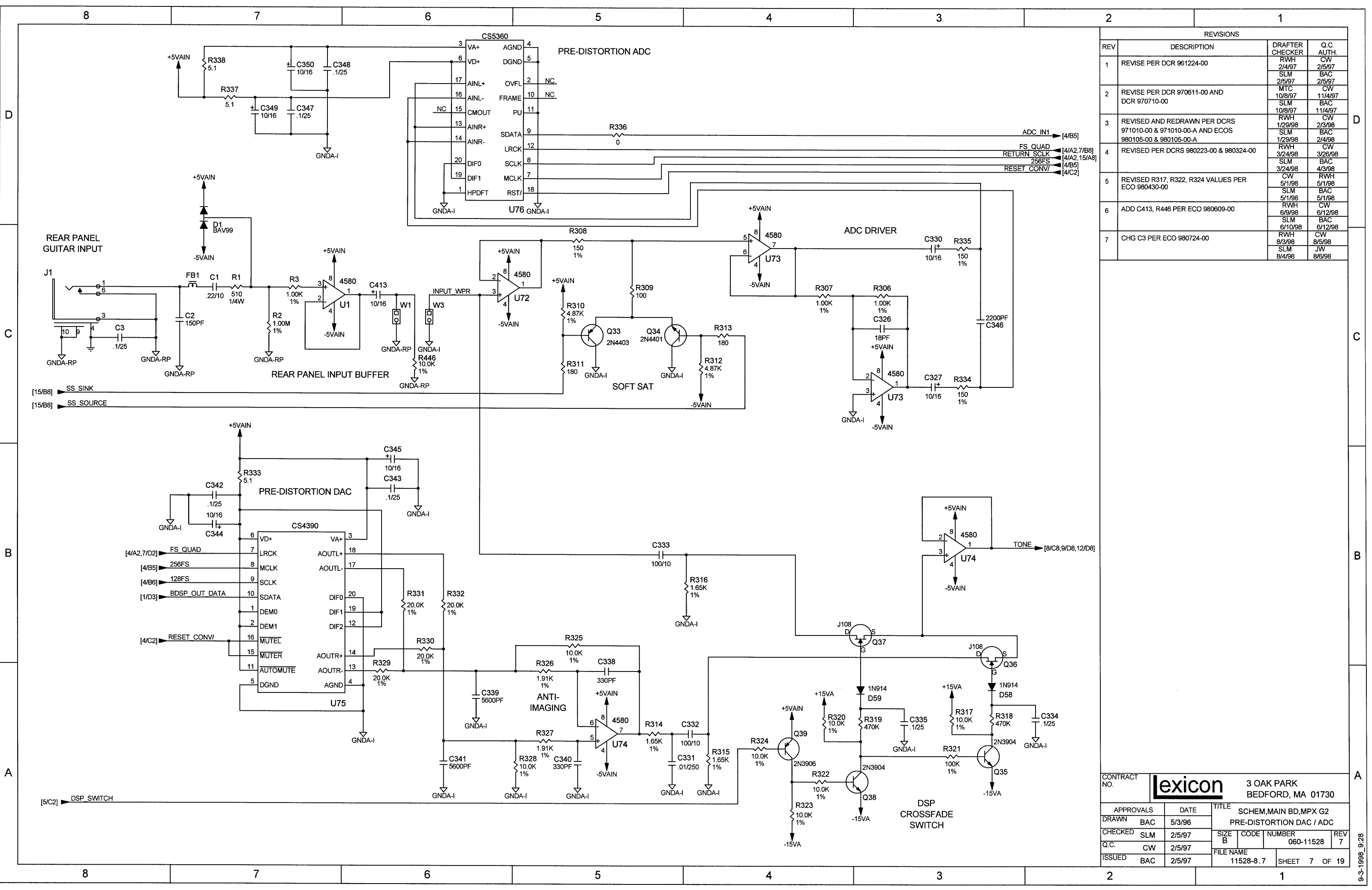
8-7-1998_10:33



REVISIONS			
REV	DESCRIPTION	DRAFTER CHECKER	Q.C. AUTH.
1	REVISE PER DCR 961224-00	RWH 2/4/97 SLM 2/5/97	CW 2/5/97 BAC 2/5/97
2	REVISE PER DCR 970611-00 AND DCR 970710-00	MTC 10/8/97 SLM 10/8/97	CW 11/4/97 BAC 11/4/97
3	REVISED AND REDRAWN PER DCRS 971010-00 & 971010-00-A AND ECOS 980105-00 & 980105-00-A	RWH 1/29/98 SLM 1/29/98	CW 2/3/98 BAC 2/4/98
4	REVISED PER DCR 980324-00	RWH 2/24/98 SLM 3/24/98	CW 3/26/98 BAC 4/3/98
5	CHG U9 PER ECO 980529-00 CHG DIN GND PER ECO 980609-00	RWH 6/9/98 SLM 6/10/98	CW 6/12/98 BAC 6/12/98

CONTRACT NO.		lexicon		3 OAK PARK BEDFORD, MA 01730	
APPROVALS	DATE	TITLE			
DRAWN	BAC	5/3/96	SCHEM,MAIN BD,MPX G2 MIDI		
CHECKED	SLM	2/5/97	SIZE	CODE	NUMBER
Q.C.	CW	2/5/97	B		060-11528
ISSUED	BAC	2/5/97	FILE NAME	REV	5
			11528-6.6		
			SHEET	6 OF 19	

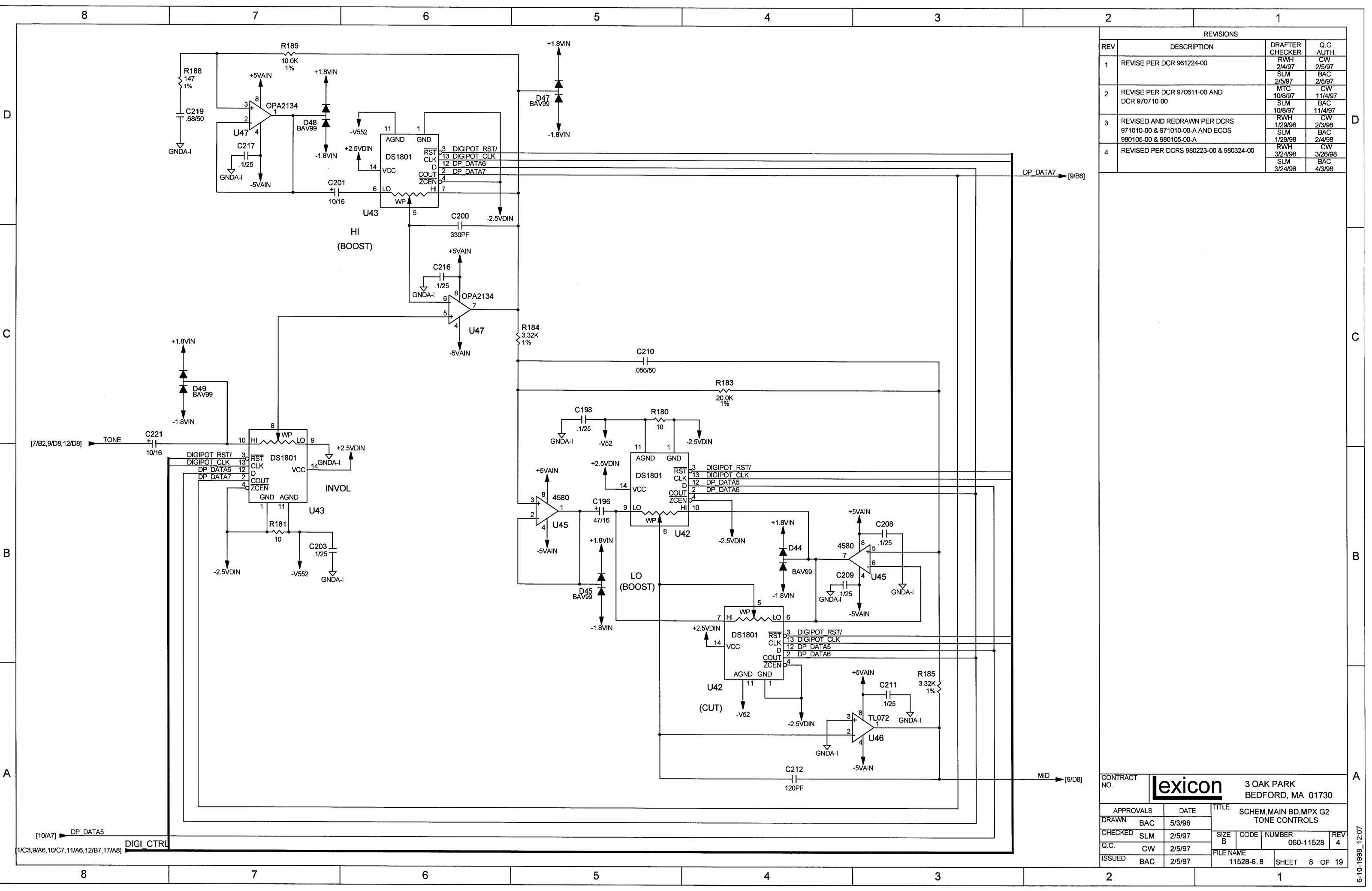
6-12-1998_14:07



REVISIONS				
REV	DESCRIPTION	DRAFTER	CHECKER	Q.C. AUTH.
1	REVISE PER DCR 961224-00	RWH	2/4/97	CW
		SLM	2/5/97	BAC
		SLM	2/5/97	BAC
2	REVISE PER DCR 970611-00 AND DCR 970710-00	MTC	10/8/97	CW
		SLM	10/8/97	BAC
		SLM	10/8/97	BAC
3	REVISED AND REDRAWN PER DCRS 971010-00 & 971010-00-A AND ECOS 980105-00 & 980105-00-A	RWH	1/29/98	CW
		SLM	1/29/98	BAC
		SLM	1/29/98	BAC
4	REVISED PER DCRS 980223-00 & 980324-00	RWH	3/24/98	CW
		SLM	3/24/98	BAC
		SLM	3/24/98	BAC
5	REVISED R317, R322, R324 VALUES PER ECO 980430-00	CW	5/1/98	RWH
		SLM	5/1/98	BAC
		SLM	5/1/98	BAC
6	ADD C413, R446 PER ECO 980609-00	RWH	6/9/98	CW
		SLM	6/10/98	BAC
		SLM	6/10/98	BAC
7	CHG C3 PER ECO 980724-00	RWH	8/3/98	CW
		SLM	8/4/98	JVJ
		SLM	8/4/98	BAC

CONTRACT NO.		lexicon		3 OAK PARK BEDFORD, MA 01730	
APPROVALS	DATE	TITLE			
DRAWN	BAC	SCHEM, MAIN BD, MPX G2			
CHECKED	SLM	PRE-DISTORTION DAC / ADC			
Q.C.	CW	SIZE	CODE	NUMBER	REV
ISSUED	BAC	B		060-11528	7
		FILE NAME		SHEET	
		11528-8.7		7 OF 19	

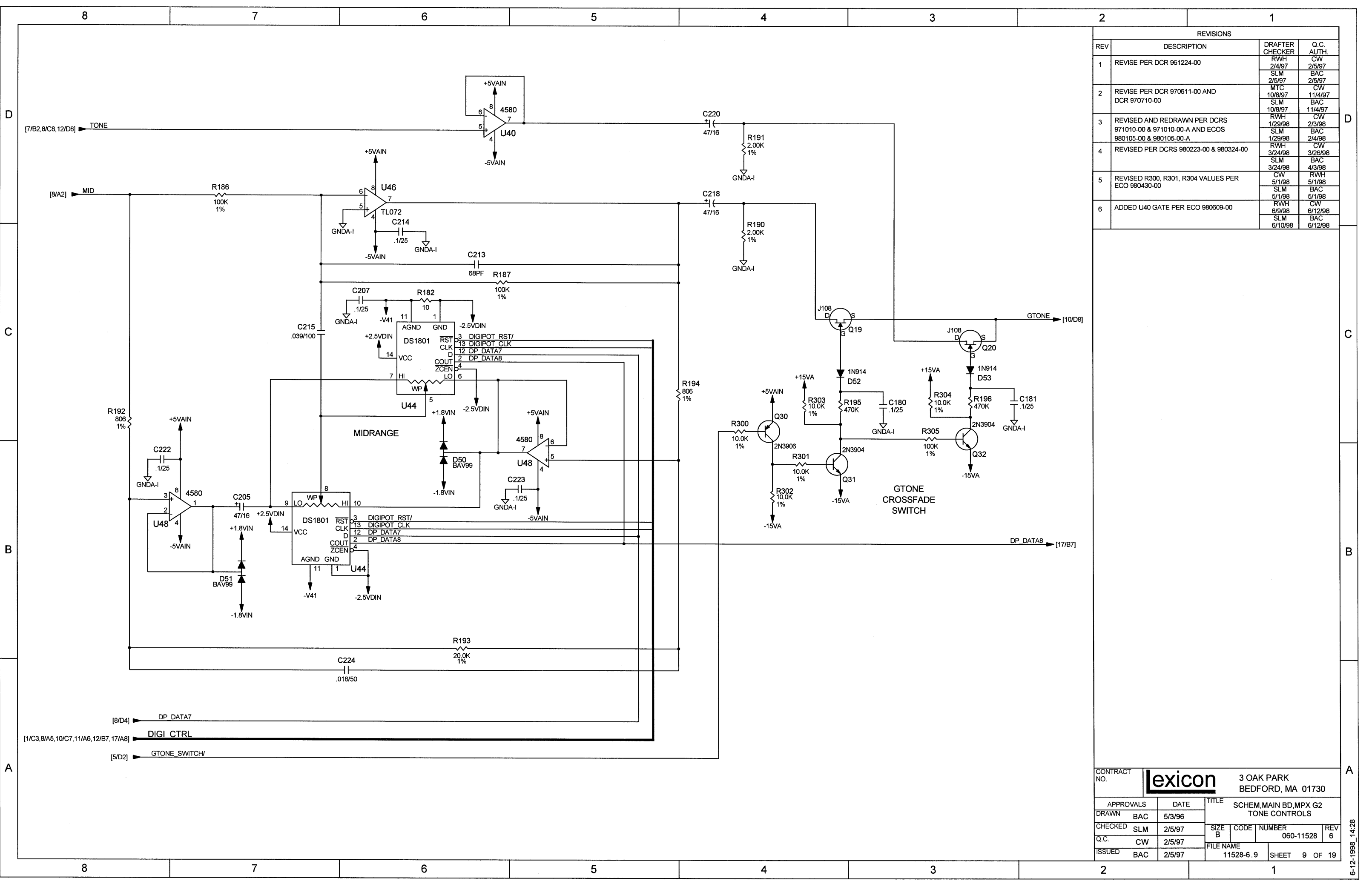
9-3-1998 9:28



REVISIONS			
REV	DESCRIPTION	DRAFTER CHECKER	Q.C. AUTH.
1	REVISE PER DCR 961224-00	RWH 2/4/97	CW 2/5/97
2	REVISE PER DCR 970611-00 AND DCR 970710-00	SLM 2/5/97	BAC 2/5/97
3	REVISED AND REDRAWN PER DCRS 971010-00 & 971010-00-A AND ECOS 980105-00 & 980105-00-A	MTC 10/8/97	CW 11/4/97
4	REVISED PER DCRS 980223-00 & 980324-00	RWH 1/29/98	CW 2/3/98
		SLM 3/24/98	BAC 3/26/98
		SLM 3/24/98	BAC 4/3/98

CONTRACT NO.		lexicon		3 OAK PARK BEDFORD, MA 01730	
APPROVALS	DATE	TITLE			
DRAWN BAC	5/3/96	SCHEM.MAIN BD.MPX G2 TONE CONTROLS			
CHECKED SLM	2/5/97	SIZE B	CODE	NUMBER 060-11528	REV 4
Q.C. CW	2/5/97	FILE NAME			
ISSUED BAC	2/5/97	11528-6.8		SHEET 8 OF 19	

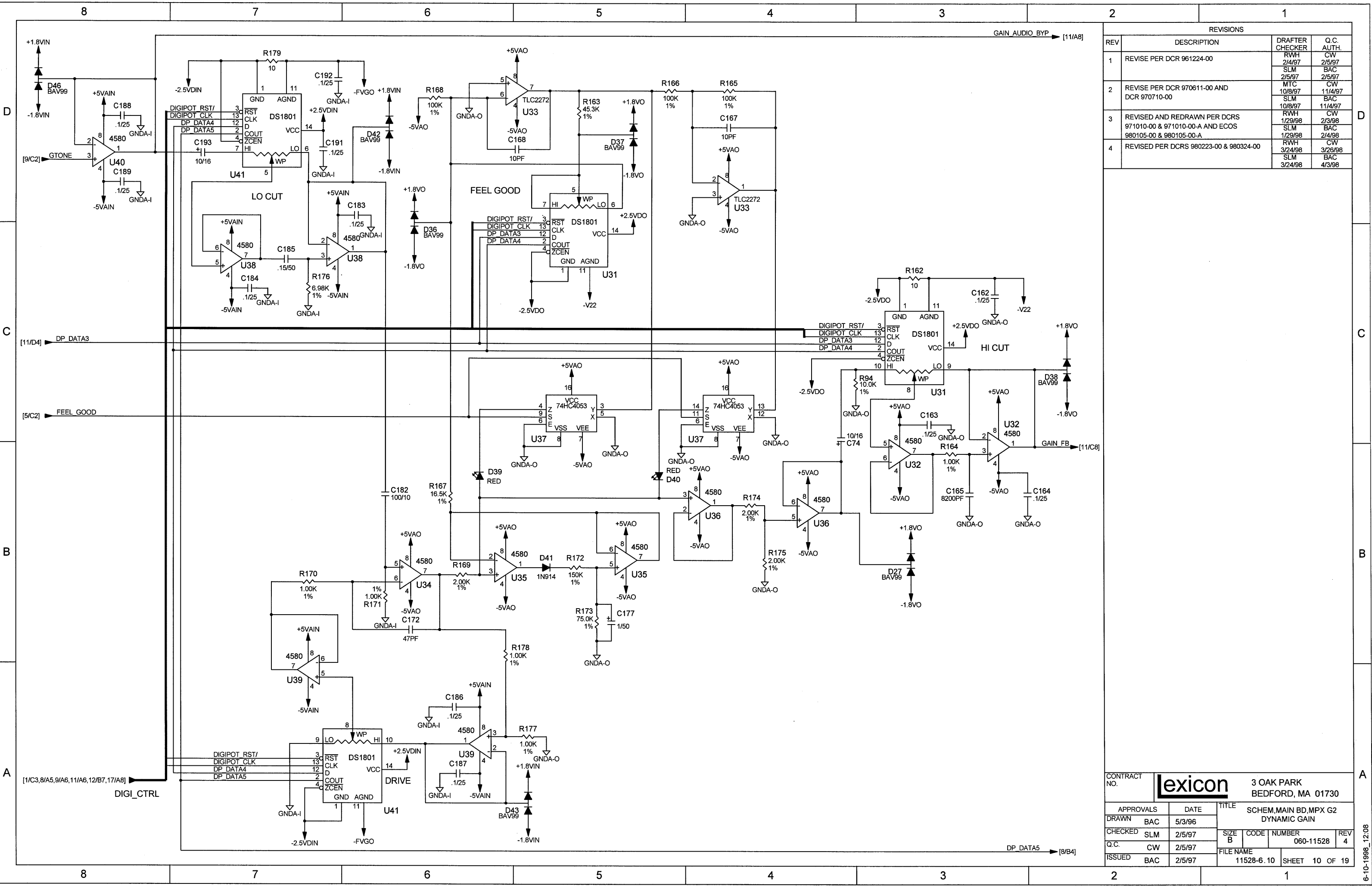
6-10-1996_12:07



REVISIONS			
REV	DESCRIPTION	DRAFTER CHECKER	Q.C. AUTH.
1	REVISE PER DCR 961224-00	RWH 2/4/97 SLM 2/5/97	CW 2/5/97 BAC 2/5/97
2	REVISE PER DCR 970611-00 AND DCR 970710-00	MTC 10/8/97 SLM 10/8/97	CW 11/4/97 BAC 11/4/97
3	REVISED AND REDRAWN PER DCRS 971010-00 & 971010-00-A AND ECOS 980105-00 & 980105-00-A	RWH 1/29/98 SLM 1/29/98	CW 2/3/98 BAC 2/4/98
4	REVISED PER DCRS 980223-00 & 980324-00	RWH 3/24/98 SLM 3/24/98	CW 3/26/98 BAC 4/3/98
5	REVISED R300, R301, R304 VALUES PER ECO 980430-00	CW 5/1/98 SLM 5/1/98	RWH 5/1/98 BAC 5/1/98
6	ADDED U40 GATE PER ECO 980609-00	RWH 6/9/98 SLM 6/10/98	CW 6/12/98 BAC 6/12/98

CONTRACT NO.		lexicon		3 OAK PARK BEDFORD, MA 01730	
APPROVALS	DATE	TITLE			
DRAWN	BAC 5/3/96	SCHEM.MAIN BD.MPX G2 TONE CONTROLS			
CHECKED	SLM 2/5/97	SIZE	CODE	NUMBER	REV
Q.C.	CW 2/5/97	B		060-11528	6
ISSUED	BAC 2/5/97	FILE NAME		SHEET	
		11528-6.9		9 OF 19	

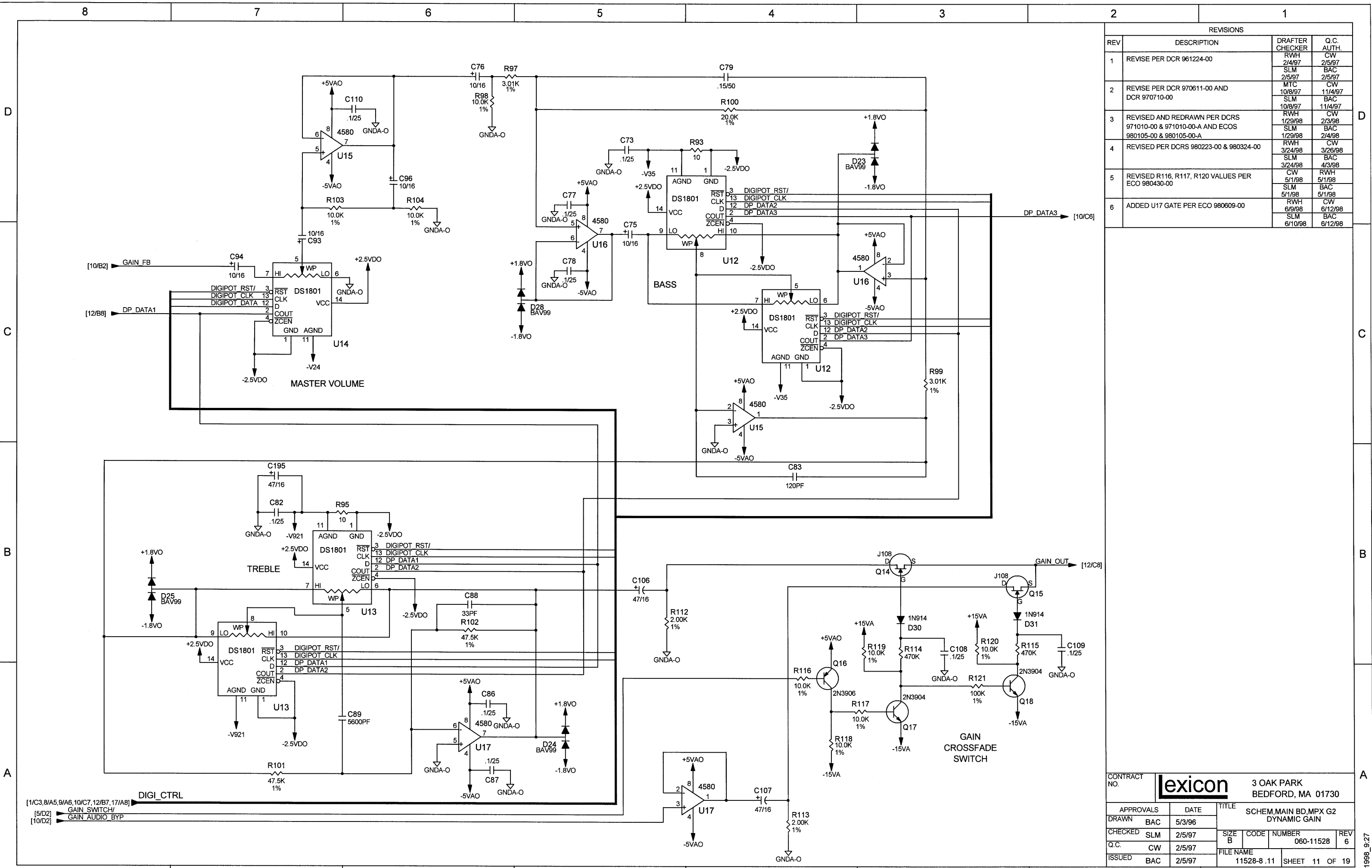
6-12-1998_14:28



REVISIONS			
REV	DESCRIPTION	DRAFTER	Q.C. AUTH.
1	REVISE PER DCR 961224-00	RWH 2/4/97	CW 2/5/97
2	REVISE PER DCR 970611-00 AND DCR 970710-00	SLM 2/5/97	BAC 2/5/97
3	REVISED AND REDRAWN PER DCRS 971010-00 & 971010-00-A AND ECOS 980105-00 & 980105-00-A	MTC 10/8/97	CW 11/4/97
4	REVISED PER DCRS 980223-00 & 980324-00	SLM 1/29/98	BAC 2/4/98
		SLM 3/24/98	CW 3/26/98
		SLM 3/24/98	BAC 4/3/98

CONTRACT NO.		lexicon		3 OAK PARK BEDFORD, MA 01730	
APPROVALS	DATE	TITLE			
DRAWN	BAC 5/3/96	SCHEM, MAIN BD, MPX G2 DYNAMIC GAIN			
CHECKED	SLM 2/5/97	SIZE	CODE	NUMBER	REV
Q.C.	CW 2/5/97	B		060-11528	4
ISSUED	BAC 2/5/97	FILE NAME		SHEET	
		11528-6.10		10 OF 19	

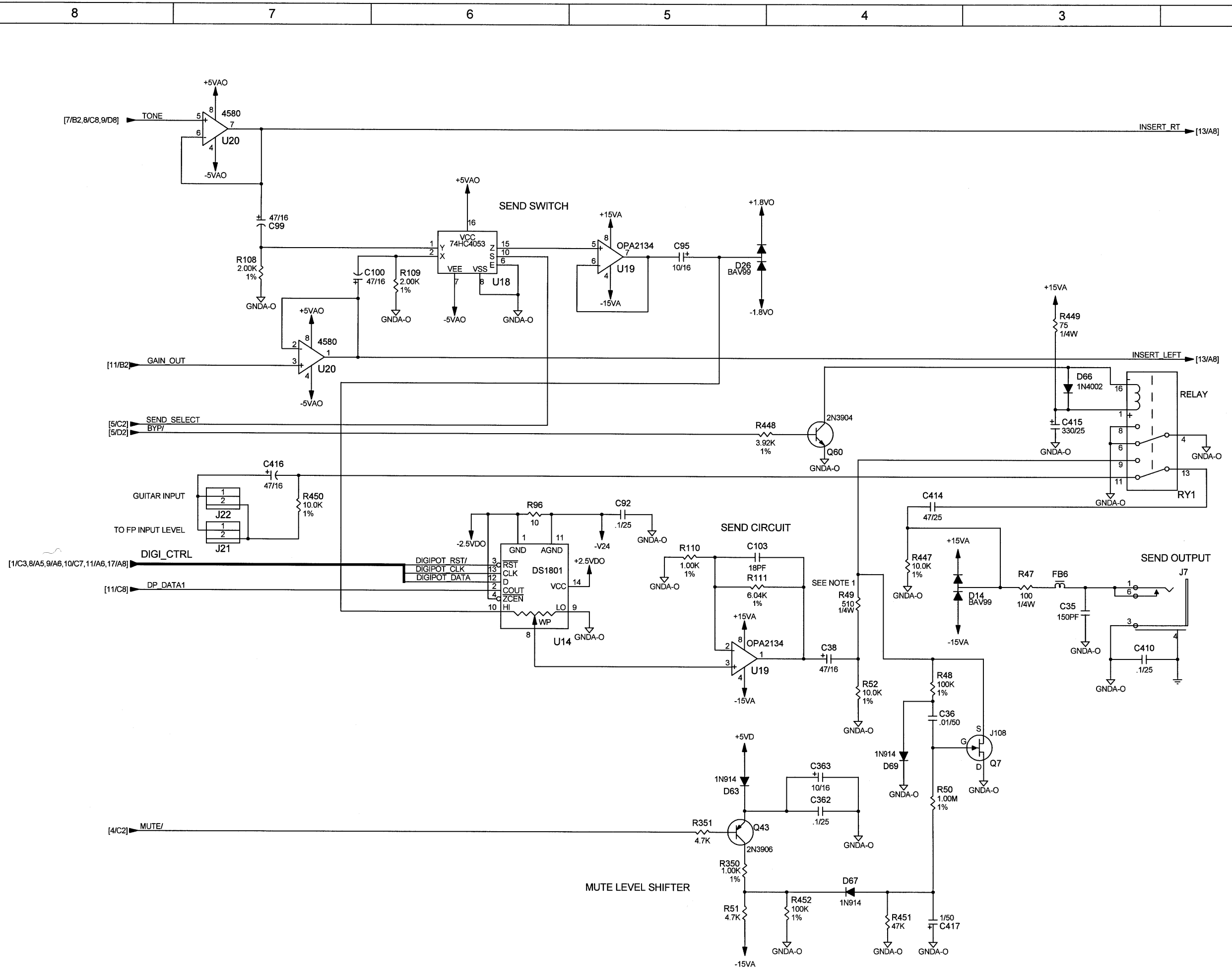
6-10-1998_12:08



REVISIONS			
REV	DESCRIPTION	DRAFTER CHECKER	Q.C. AUTH.
1	REVISE PER DCR 961224-00	RWH SLM 2/4/97 2/5/97	CW BAC 2/5/97
2	REVISE PER DCR 970611-00 AND DCR 970710-00	MTC SLM 10/8/97 10/8/97	CW BAC 11/4/97
3	REVISED AND REDRAWN PER DCRS 971010-00 & 971010-00-A AND ECOS 980105-00 & 980105-00-A	RWH SLM 1/29/98 1/29/98	CW BAC 2/3/98
4	REVISED PER DCRS 980223-00 & 980324-00	RWH SLM 3/24/98 3/24/98	CW BAC 3/26/98
5	REVISED R116, R117, R120 VALUES PER ECO 980430-00	CW SLM 5/1/98 5/1/98	RWH BAC 5/1/98
6	ADDED U17 GATE PER ECO 980609-00	RWH SLM 6/9/98 6/10/98	CW BAC 6/12/98

CONTRACT NO.		lexicon		3 OAK PARK BEDFORD, MA 01730	
APPROVALS	DATE	TITLE			
DRAWN	BAC 5/3/96	SCHEM.MAIN BD.MPX G2 DYNAMIC GAIN			
CHECKED	SLM 2/5/97	SIZE	CODE	NUMBER	REV
Q.C.	CW 2/5/97	B		060-11528	6
ISSUED	BAC 2/5/97	FILE NAME		SHEET 11 OF 19	
		11528-8.11			

9-3-1998 9:27



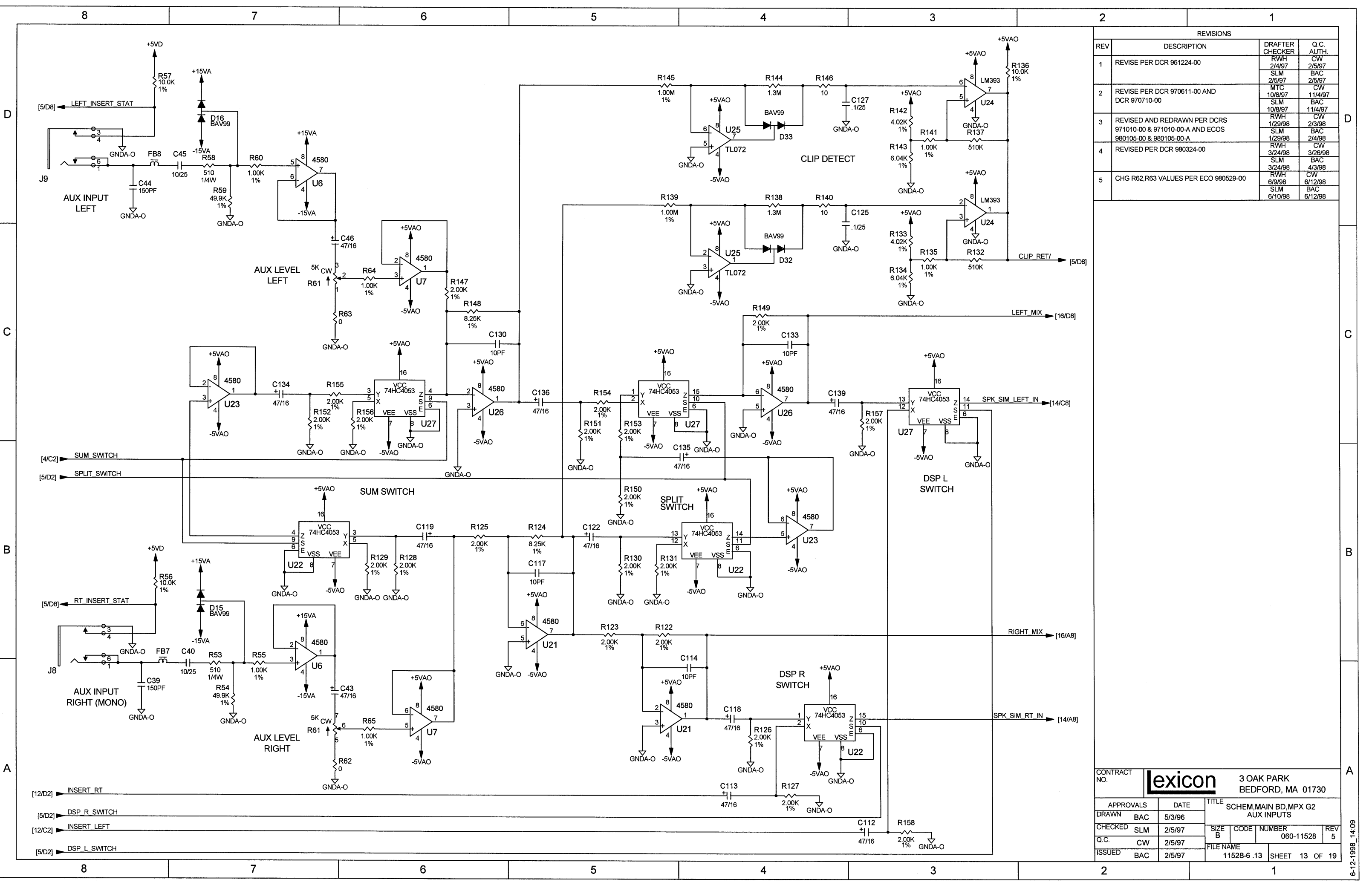
REVISIONS			
REV	DESCRIPTION	DRAFTER CHECKER	Q.C. AUTH.
1	REVISE PER DCR 961224-00	RWH 2/4/97	CW 2/5/97
2	REVISE PER DCR 970611-00 AND DCR 970710-00	SLM 2/5/97	BAC 2/5/97
3	REVISED AND REDRAWN PER DCRS 971010-00 & 971010-00-A AND ECOS 980105-00 & 980105-00-A	MTC 10/8/97	CW 11/4/97
4	REVISED PER DCR 980324-00	SLM 10/8/97	BAC 11/4/97
5	CHG SEND OUTPUT CKT PER ECO 980609-00	RWH 1/29/98	CW 2/3/98
6	CHG R111 & R452 VALUE & ADD NOTE 1 RE: R49 PER ECO 980707-00.	SLM 3/24/98	BAC 3/26/98
7	CHG C410 PER ECO 980724-00	RWH 3/24/98	CW 4/3/98
		SLM 6/9/98	CW 6/12/98
		SLM 6/10/98	BAC 6/12/98
		RWH 7/10/98	CW 7/10/98
		BAC 7/13/98	BAC 7/13/98
		SLM 8/3/98	CW 8/5/98
		SLM 8/4/98	JW 8/6/98

NOTES

NOTE 1:
REV 6 BOARDS WERE REWORKED USING THROUGH-HOLE PART FOR R49

CONTRACT NO.		lexicon		3 OAK PARK BEDFORD, MA 01730	
APPROVALS	DATE	TITLE			
DRAWN	BAC 5/3/96	SCHEM.MAIN BD.MPX G2 SEND OUTPUT			
CHECKED	SLM 2/5/97	SIZE	CODE	NUMBER	REV
Q.C.	CW 2/5/97	B		060-11528	7
ISSUED	BAC 2/5/97	FILE NAME		SHEET	
		11528-8.12		12 OF 19	

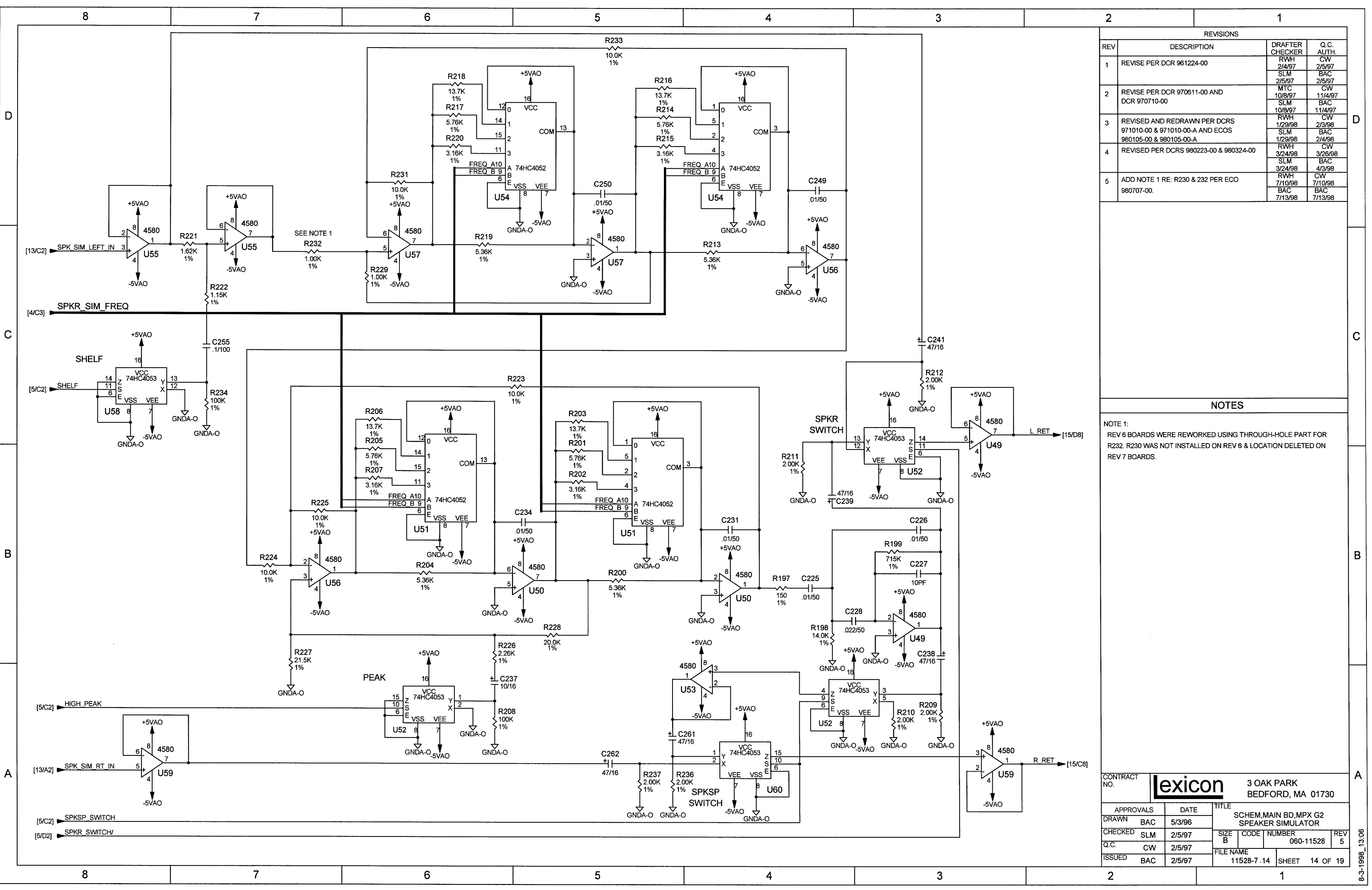
8-7-1998_10:59



REVISIONS			
REV	DESCRIPTION	DRAFTER	Q.C. AUTH.
1	REVISE PER DCR 961224-00	RWH 2/4/97	CW 2/5/97
2	REVISE PER DCR 970611-00 AND DCR 970710-00	SLM 2/5/97	BAC 2/5/97
3	REVISED AND REDRAWN PER DCRS 971010-00 & 971010-00-A AND ECOS 980105-00 & 980105-00-A	MTC 10/8/97	CW 11/4/97
4	REVISED PER DCR 980324-00	RWH 1/29/98	CW 2/3/98
5	CHG R62,R63 VALUES PER ECO 980529-00	SLM 3/24/98	BAC 4/3/98
		RWH 6/9/98	CW 6/12/98
		SLM 6/10/98	BAC 6/12/98

CONTRACT NO.		lexicon		3 OAK PARK BEDFORD, MA 01730	
APPROVALS	DATE	TITLE SCHEM.MAIN BD.MPX G2 AUX INPUTS			
DRAWN BAC	5/3/96	SIZE B	CODE	NUMBER 060-11528	REV 5
CHECKED SLM	2/5/97	FILE NAME			
Q.C. CW	2/5/97	11528-6.13			
ISSUED BAC	2/5/97	SHEET 13		OF 19	

6-12-1999_14:09



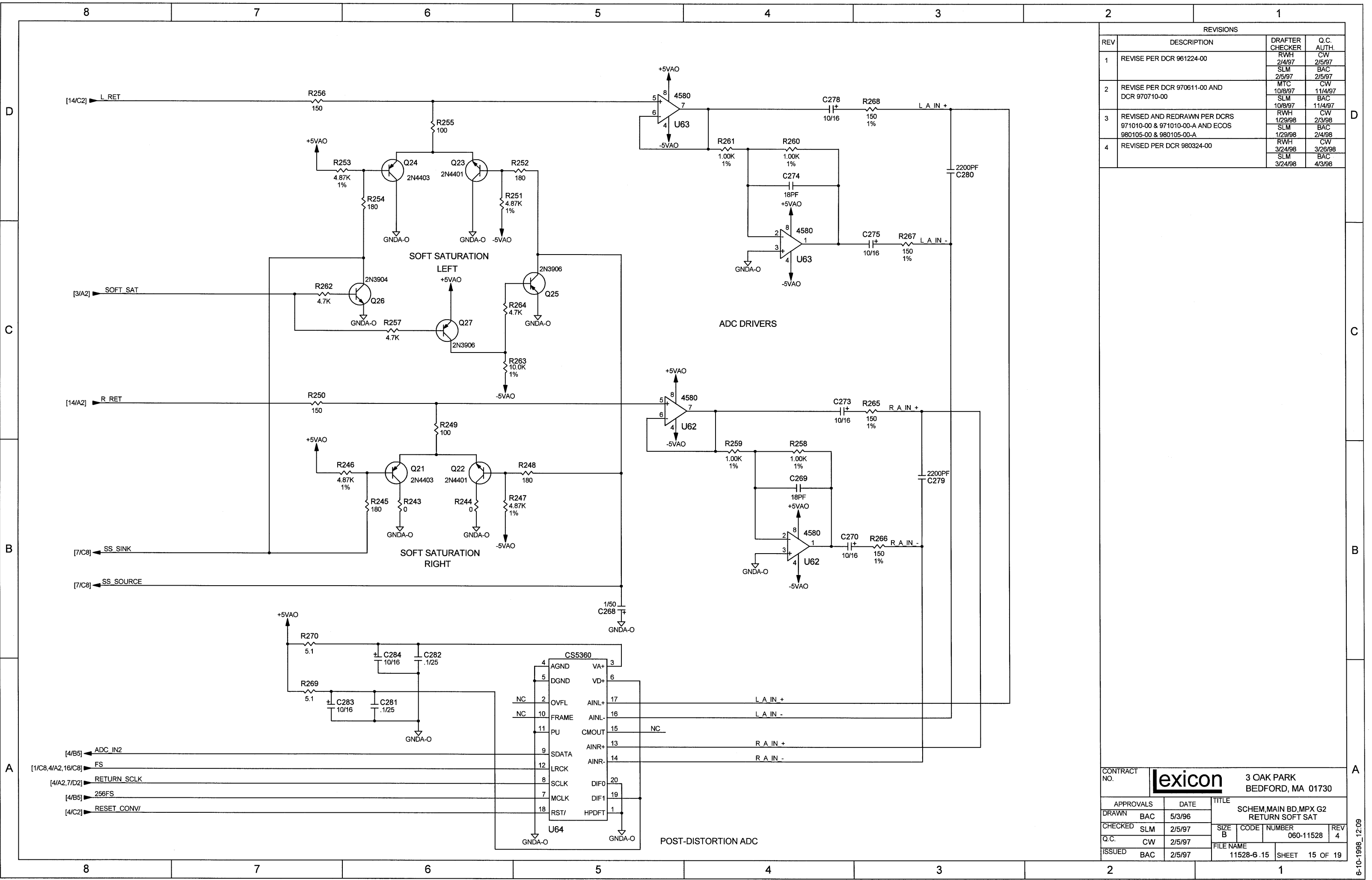
REVISIONS			
REV	DESCRIPTION	DRAFTER CHECKER	Q.C. AUTH.
1	REVISE PER DCR 961224-00	RWH 2/4/97	CW 2/5/97
2	REVISE PER DCR 970611-00 AND DCR 970710-00	SLM 2/5/97	BAC 2/5/97
3	REVISED AND REDRAWN PER DCRS 971010-00 & 971010-00-A AND ECOS 980105-00 & 980105-00-A	MTC 10/8/97	CW 11/4/97
4	REVISED PER DCRS 980223-00 & 980324-00	RWH 1/29/98	CW 2/3/98
		SLM 1/29/98	BAC 2/4/98
5	ADD NOTE 1 RE: R230 & 232 PER ECO 980707-00.	RWH 3/24/98	CW 3/26/98
		SLM 3/24/98	BAC 4/3/98
		RWH 7/10/98	CW 7/10/98
		BAC 7/13/98	BAC 7/13/98

NOTES

NOTE 1:
REV 6 BOARDS WERE REWORKED USING THROUGH-HOLE PART FOR R232. R230 WAS NOT INSTALLED ON REV 6 & LOCATION DELETED ON REV 7 BOARDS.

CONTRACT NO.		lexicon		3 OAK PARK BEDFORD, MA 01730	
APPROVALS	DATE	TITLE			
DRAWN BAC	5/3/96	SCHEM, MAIN BD, MPX G2 SPEAKER SIMULATOR			
CHECKED SLM	2/5/97	SIZE B	CODE	NUMBER 060-11528	REV 5
Q.C. CW	2/5/97	FILE NAME		11528-7.14	
ISSUED BAC	2/5/97	SHEET		14 OF 19	

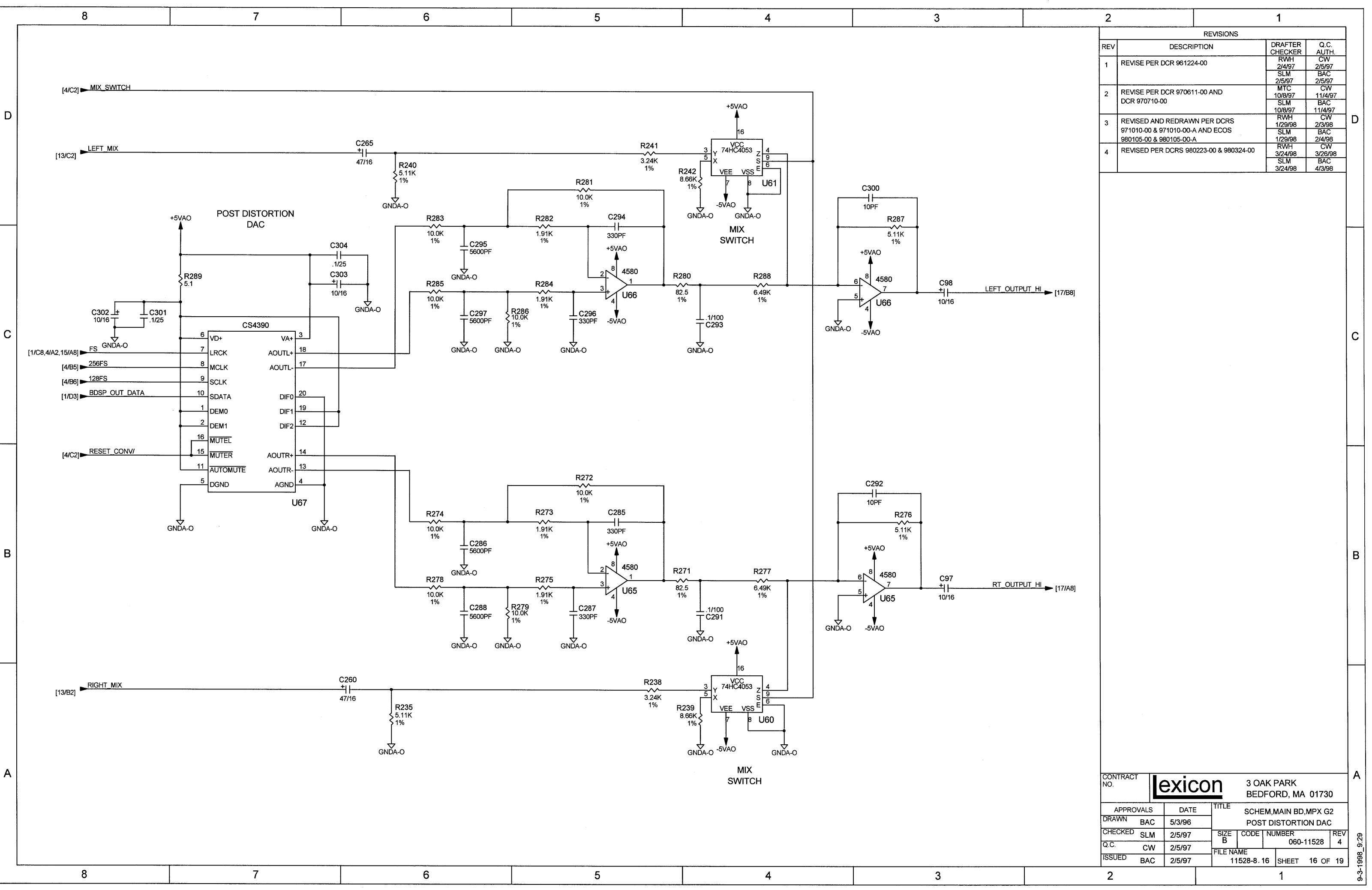
8-3-1998_13:06



REVISIONS			
REV	DESCRIPTION	DRAFTER CHECKER	Q.C. AUTH.
1	REVISE PER DCR 961224-00	RWH 2/4/97 SLM 2/5/97	CW 2/5/97 BAC 2/5/97
2	REVISE PER DCR 970611-00 AND DCR 970710-00	MTC 10/8/97 SLM 10/8/97	CW 11/4/97 BAC 11/4/97
3	REVISED AND REDRAWN PER DCRS 971010-00 & 971010-00-A AND ECOS 980105-00 & 980105-00-A	RWH 1/29/98 SLM 1/29/98	CW 2/3/98 BAC 2/4/98
4	REVISED PER DCR 980324-00	RWH 3/24/98 SLM 3/24/98	CW 3/26/98 BAC 4/3/98

CONTRACT NO.		lexicon		3 OAK PARK BEDFORD, MA 01730	
APPROVALS	DATE	TITLE			
DRAWN BAC	5/3/96	SCHEM MAIN BD, MPX G2 RETURN SOFT SAT			
CHECKED SLM	2/5/97	SIZE B	CODE	NUMBER 060-11528	REV 4
Q.C. CW	2/5/97	FILE NAME		11528-6.15	
ISSUED BAC	2/5/97	SHEET		15 OF 19	

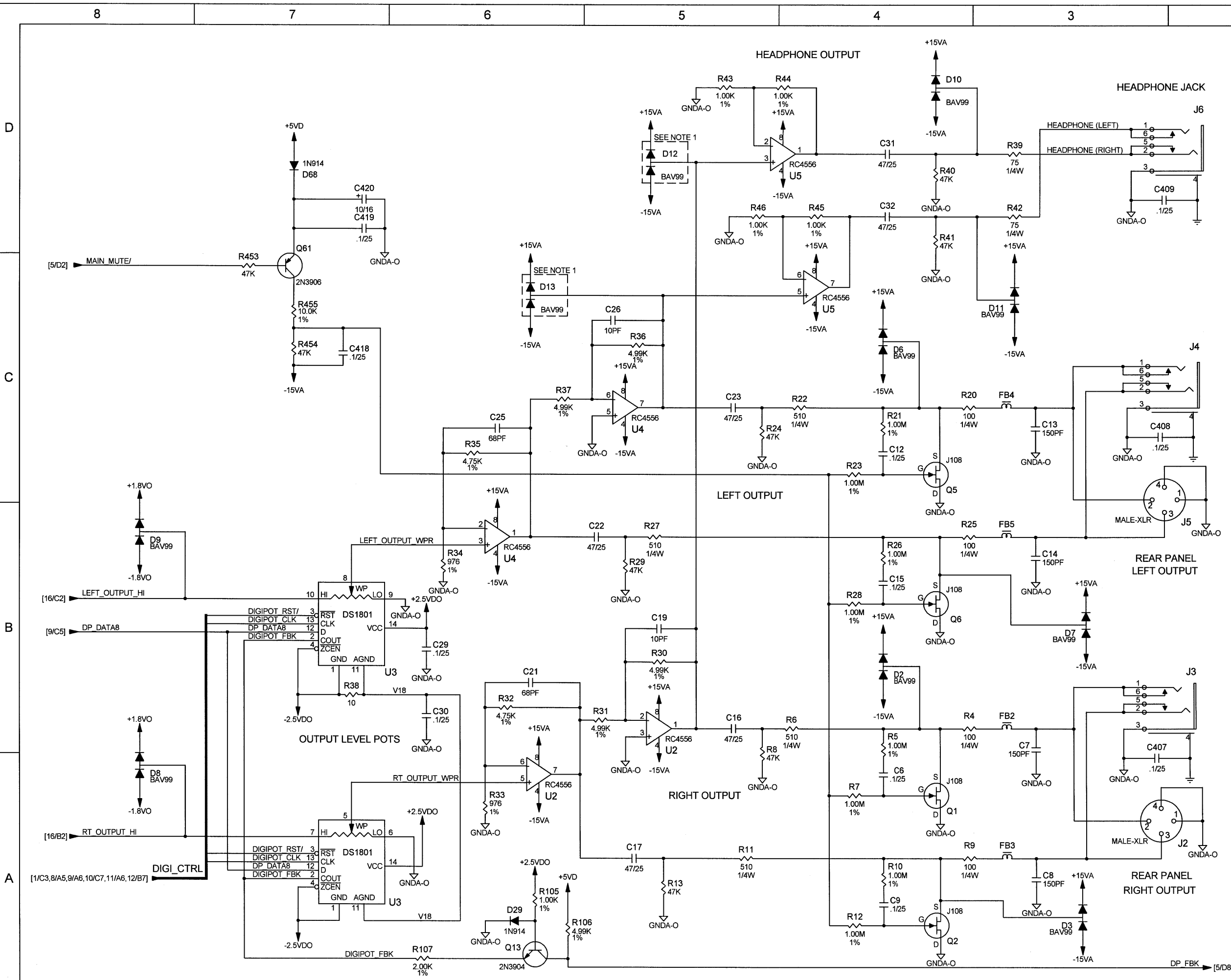
6-10-1998_12:09



REVISIONS			
REV	DESCRIPTION	DRAFTER CHECKER	Q.C. AUTH.
1	REVISE PER DCR 961224-00	RWH 2/4/97 SLM 2/5/97	CW 2/5/97 BAC 2/5/97
2	REVISE PER DCR 970611-00 AND DCR 970710-00	MTC 10/8/97 SLM 10/8/97	CW 11/4/97 BAC 11/4/97
3	REVISED AND REDRAWN PER DCRS 971010-00 & 971010-00-A AND ECOS 980105-00 & 980105-00-A	RWH 1/29/98 SLM 1/29/98	CW 2/3/98 BAC 2/4/98
4	REVISED PER DCRS 980223-00 & 980324-00	RWH 3/24/98 SLM 3/24/98	CW 3/26/98 BAC 4/3/98

CONTRACT NO.		lexicon		3 OAK PARK BEDFORD, MA 01730	
APPROVALS	DATE	TITLE			
DRAWN	BAC 5/3/96	SCHEM.MAIN BD.MPX G2 POST DISTORTION DAC			
CHECKED	SLM 2/5/97	SIZE	CODE	NUMBER	REV
Q.C.	CW 2/5/97	B		060-11528	4
ISSUED	BAC 2/5/97	FILE NAME		SHEET	
		11528-8.16		16 OF 19	

9-3-1998 9:29



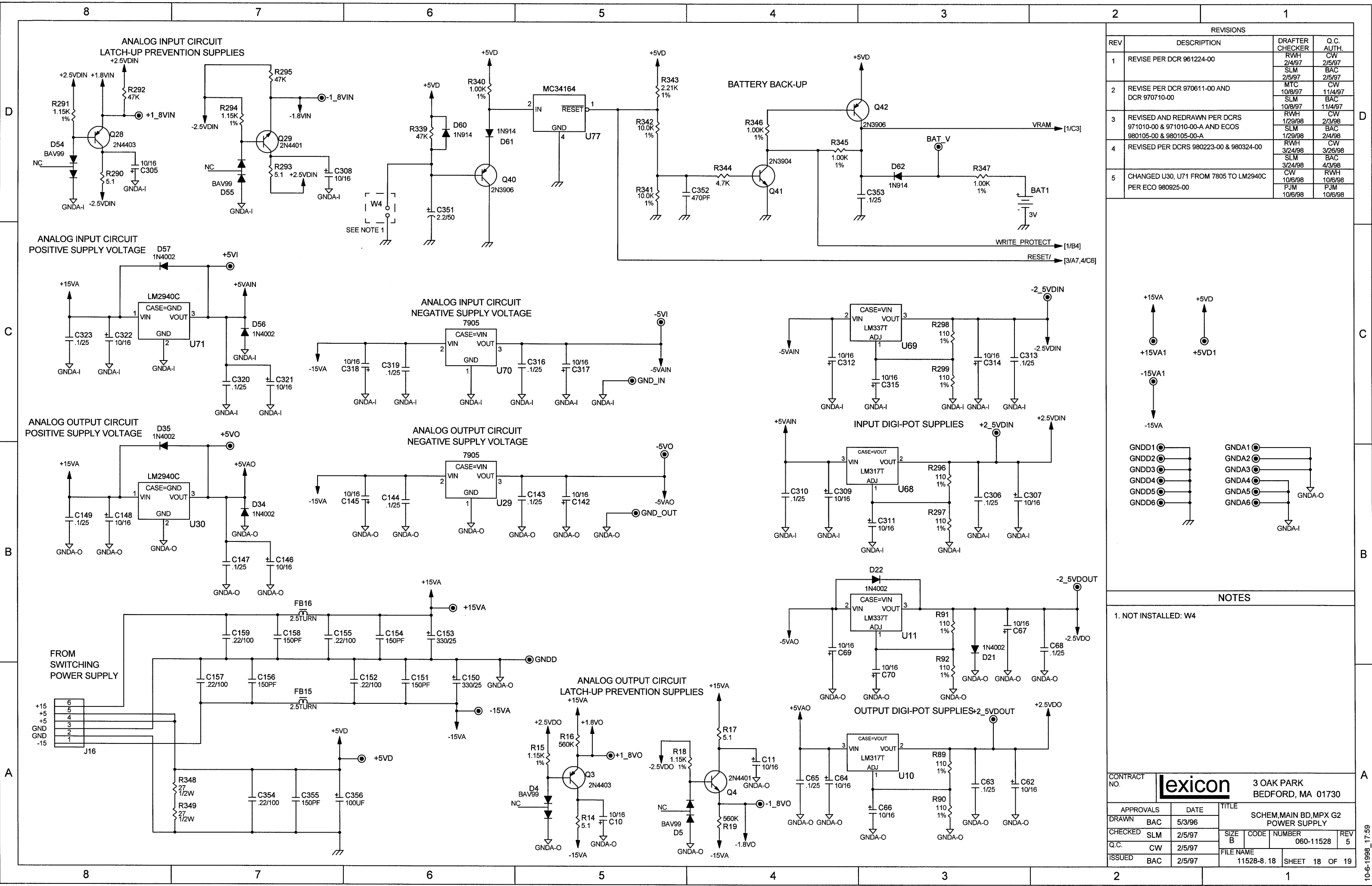
REVISIONS			
REV	DESCRIPTION	DRAFTER CHECKER	Q.C. AUTH.
1	REVISE PER DCR 961224-00	RWH 2/4/97 SLM 2/5/97	CW 2/5/97 BAC 2/5/97
2	REVISE PER DCR 970611-00 AND DCR 970710-00	MTC 10/8/97 SLM 10/8/97	CW 11/4/97 BAC 11/4/97
3	REVISED AND REDRAWN PER DCRS 971010-00 & 971010-00-A AND ECOS 980105-00 & 980105-00-A	RWH 1/29/98 SLM 1/29/98	CW 2/3/98 BAC 2/4/98
4	REVISED PER DCRS 980223-00 & 980324-00	RWH 3/24/98 SLM 3/24/98	CW 3/26/98 BAC 4/3/98
5	ADD NOTE 1 (UNPOP D12, D13) PER ECO 980430-00	CW 5/1/98 SLM 5/1/98	RWH 5/1/98 BAC 5/1/98
6	ADD MAIN_MUTE/ CKT & CHG JACK GND PER ECO 980609-00	RWH 6/9/98 SLM 6/10/98	CW 6/12/98 BAC 6/12/98
7	CHG C407-409 PER ECO 980724-00	RWH 8/3/98 SLM 8/4/98	CW 8/5/98 JW 8/6/98

NOTES

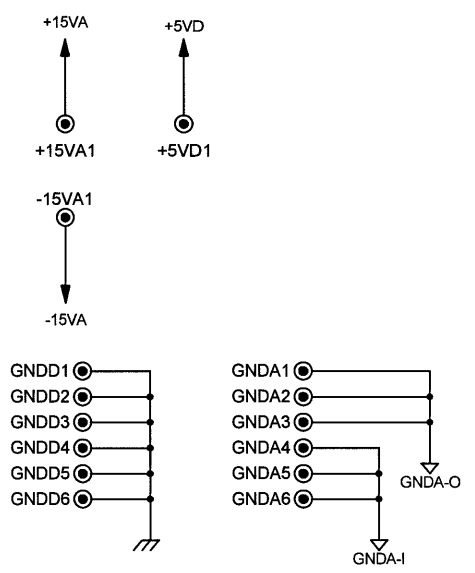
1. NOT INSTALLED: D12, D13

CONTRACT NO.	lexicon	3 OAK PARK BEDFORD, MA 01730
APPROVALS	DATE	TITLE
DRAWN BAC	5/3/96	SCHEM.MAIN BD.MPX G2
CHECKED SLM	2/5/97	GUITAR INPUT, L/R OUTPUTS
Q.C. CW	2/5/97	SIZE B CODE NUMBER 060-11528 REV 7
ISSUED BAC	2/5/97	FILE NAME 11528-8.17 SHEET 17 OF 19

8-7-1998_10:34



REVISIONS			
REV	DESCRIPTION	DRAFTER CHECKER	Q.C. AUTH.
1	REVISE PER DCR 961224-00	RWH 2/4/97	CW 2/5/97
2	REVISE PER DCR 970611-00 AND DCR 970710-00	SLM 2/5/97	BAC 2/5/97
3	REVISED AND REDRAWN PER DCRS 971010-00 & 971010-00-A AND ECOS 980105-00 & 980105-00-A	MTC 10/8/97	CW 11/4/97
4	REVISED PER DCRS 980223-00 & 980324-00	RWH 1/29/98	CW 2/3/98
5	CHANGED U30, U71 FROM 7805 TO LM2940C PER ECO 980925-00	SLM 3/24/98	BAC 3/26/98
		RWH 10/6/98	CW 10/6/98
		PJM 10/6/98	PJM 10/6/98

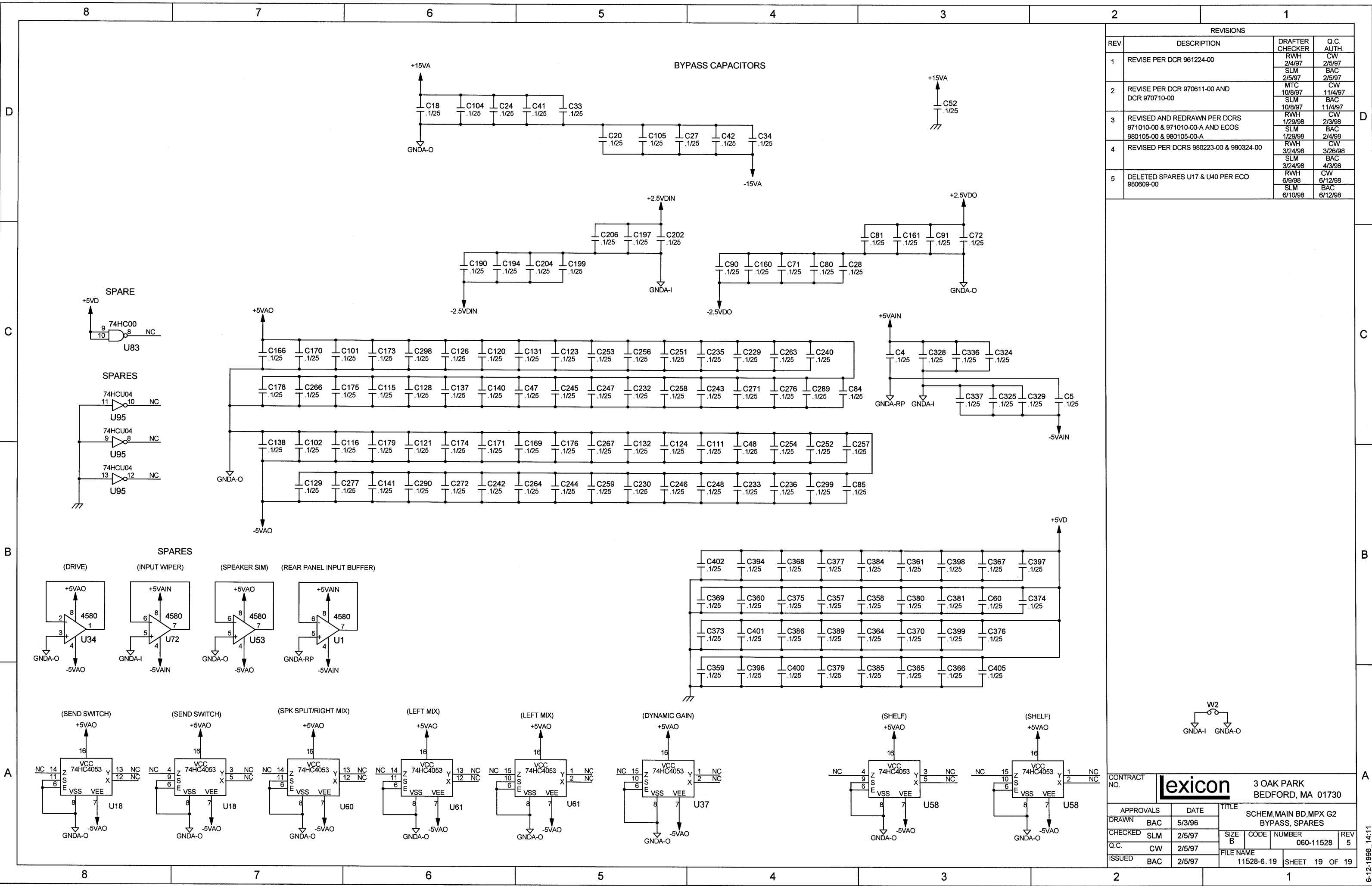


NOTES

1. NOT INSTALLED: W4

CONTRACT NO.	lexicon	3 OAK PARK BEDFORD, MA 01730
APPROVALS	DATE	TITLE
DRAWN BAC	5/3/96	SCHEM, MAIN BD, MPX G2 POWER SUPPLY
CHECKED SLM	2/5/97	SIZE B CODE NUMBER REV
Q.C. CW	2/5/97	060-11528 5
ISSUED BAC	2/5/97	FILE NAME
		11528-8.18 SHEET 18 OF 19

10-6-1998_17-59



REVISIONS			
REV	DESCRIPTION	DRAFTER CHECKER	Q.C. AUTH.
1	REVISE PER DCR 961224-00	RWH 2/4/97 SLM 2/5/97	CW 2/5/97 BAC 2/5/97
2	REVISE PER DCR 970611-00 AND DCR 970710-00	MTC 10/8/97 SLM 10/8/97	CW 11/4/97 BAC 11/4/97
3	REVISED AND REDRAWN PER DCRS 971010-00 & 971010-00-A AND ECOS 980105-00 & 980105-00-A	RWH 1/29/98 SLM 1/29/98	CW 2/3/98 BAC 2/4/98
4	REVISED PER DCRS 980223-00 & 980324-00	RWH 3/24/98 SLM 3/24/98	CW 3/26/98 BAC 4/3/98
5	DELETED SPARES U17 & U40 PER ECO 980609-00	RWH 6/9/98 SLM 6/10/98	CW 6/12/98 BAC 6/12/98

CONTRACT NO.	lexicon	3 OAK PARK BEDFORD, MA 01730
APPROVALS	DATE	TITLE
DRAWN BAC	5/3/96	SCHEM, MAIN BD, MPX G2 BYPASS, SPARES
CHECKED SLM	2/5/97	SIZE B CODE NUMBER REV
Q.C. CW	2/5/97	FILE NAME 060-11528 5
ISSUED BAC	2/5/97	11528-6.19 SHEET 19 OF 19

6-12-1998 14:11

8

7

6

5

4

3

2

1

D

D

C

C

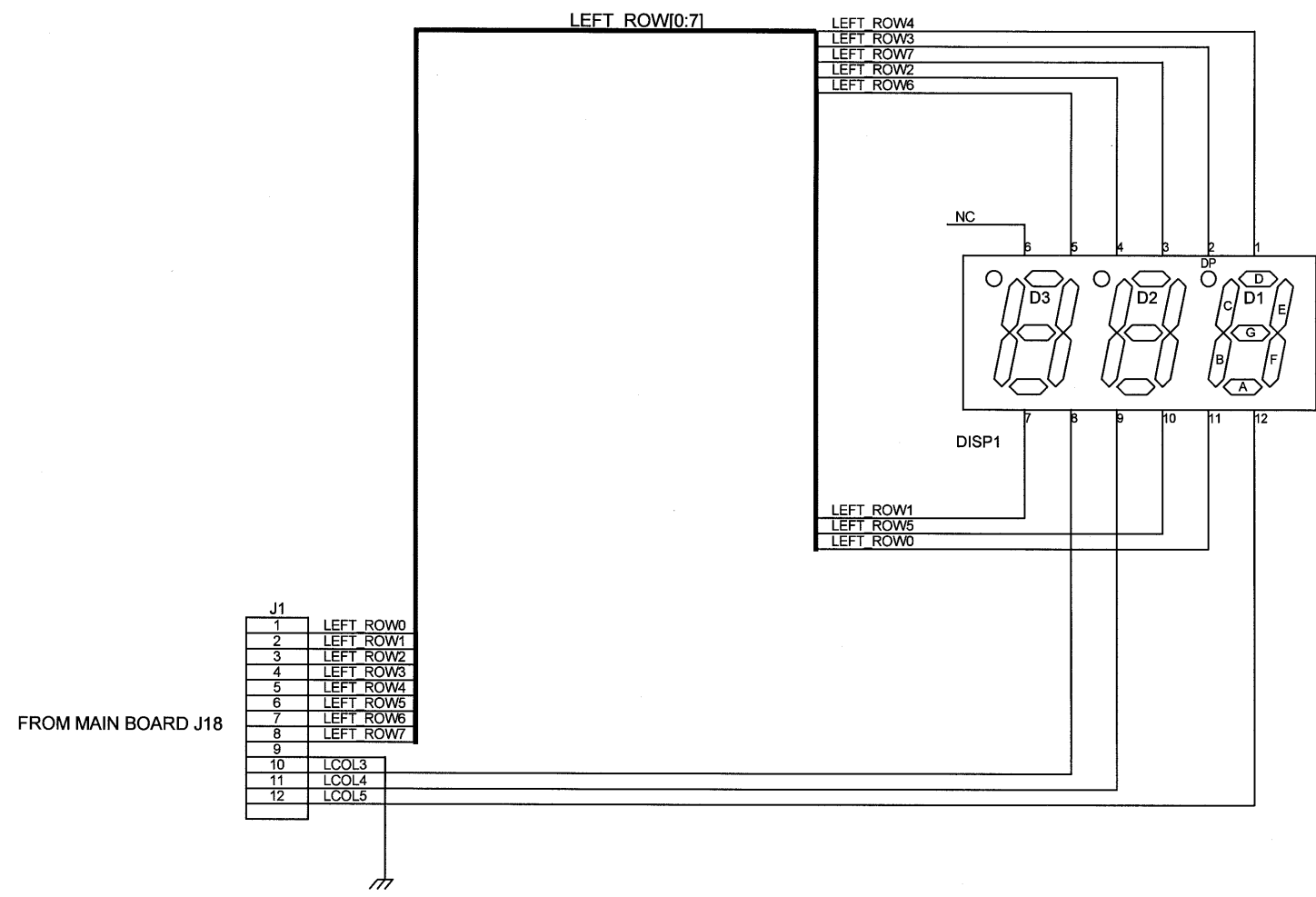
B

B

A

A

REVISIONS			
REV	DESCRIPTION	DRAFTER CHECKER	Q.C. AUTH.
1	CREATED SEPARATE SCHEM FOR FP BDS PER DCR 980121-01	RWH 1/22/98	CW 1/26/98
		CBV 1/26/98	BAC 1/27/98



NOTES			
1	DIGITAL GROUND	ANALOG GROUND	CHASSIS GROUND
	POWER GROUND		
2 LAST REFERENCE DESIGNATORS USED: DISP1, J1			

CONTRACT NO.	lexicon		3 OAK PARK BEDFORD, MA 01730	
APPROVALS	DATE	TITLE		
DRAWN RWH	1/22/96	SCHEM,DSPLY BD,MPX G2		
CHECKED BAC	1/22/96	SIZE B	CODE	NUMBER 060-11539
Q.C. CW	1/23/96	FILE NAME		REV 1
ISSUED BAC	1/23/96	11539-1.1	SHEET	1 OF 1

8

7

6

5

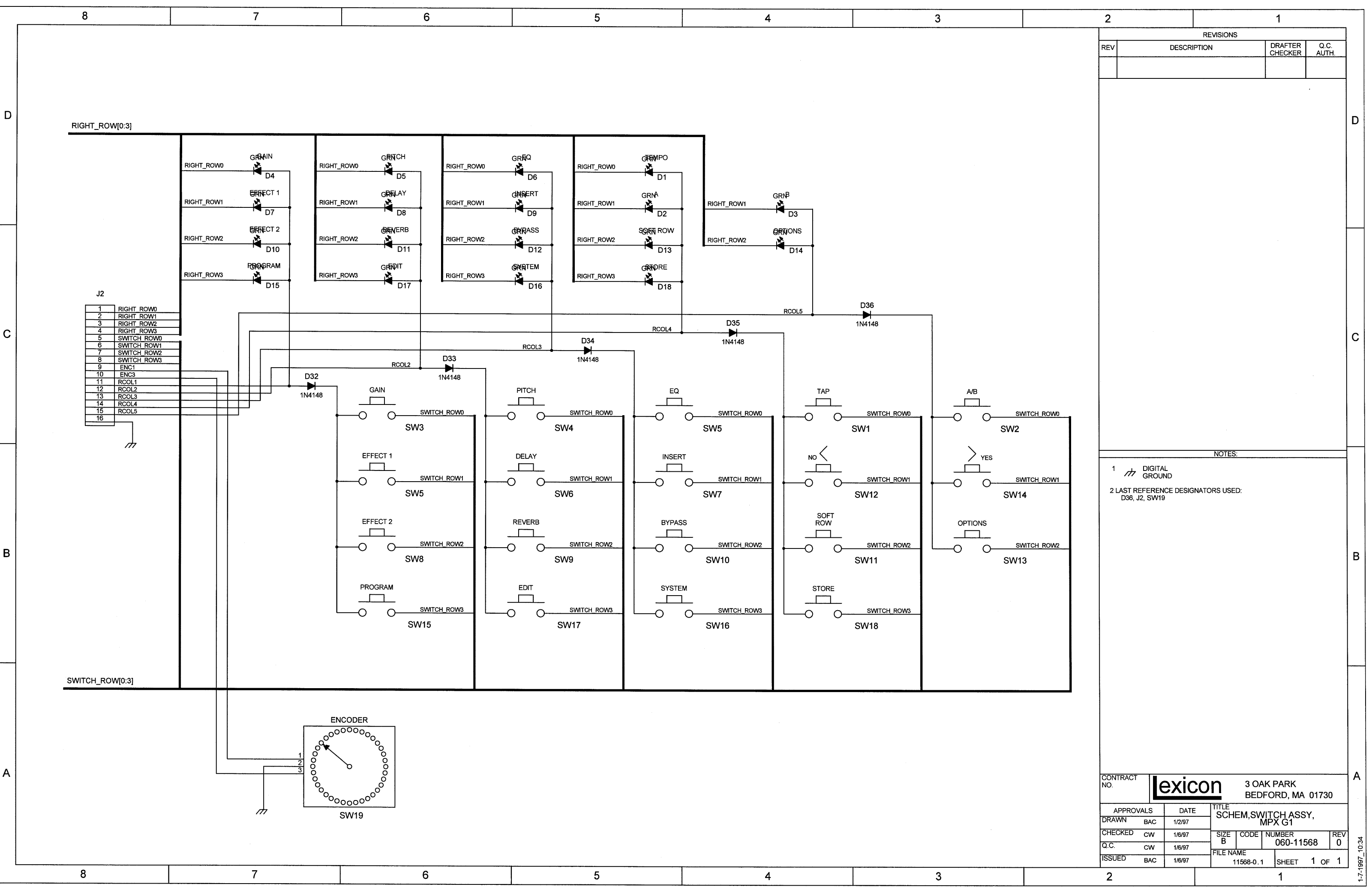
4

3

2

1

1-28-1996_9:56



REVISIONS			
REV	DESCRIPTION	DRAFTER CHECKER	Q.C. AUTH.

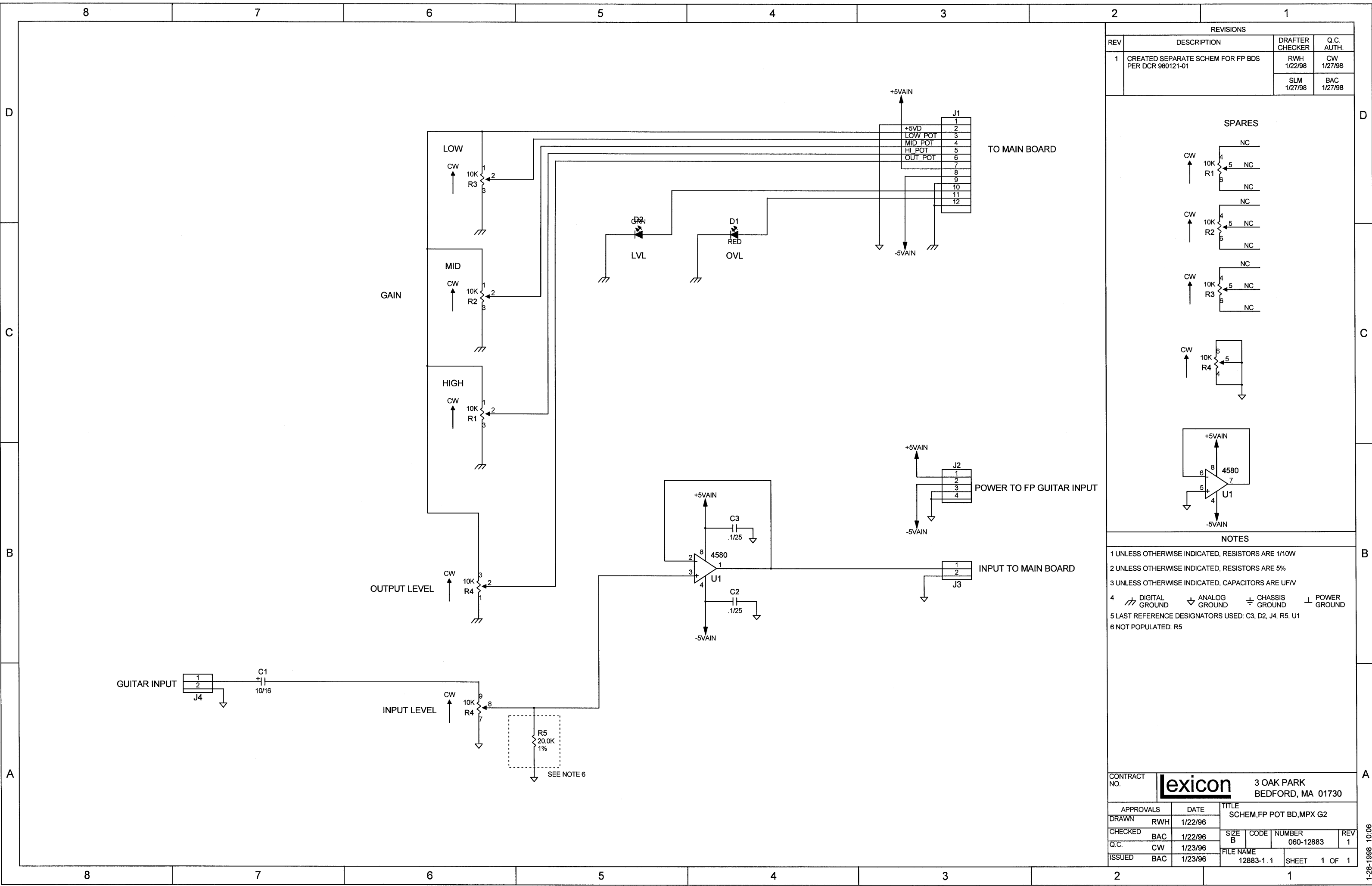
NOTES:

1 DIGITAL GROUND

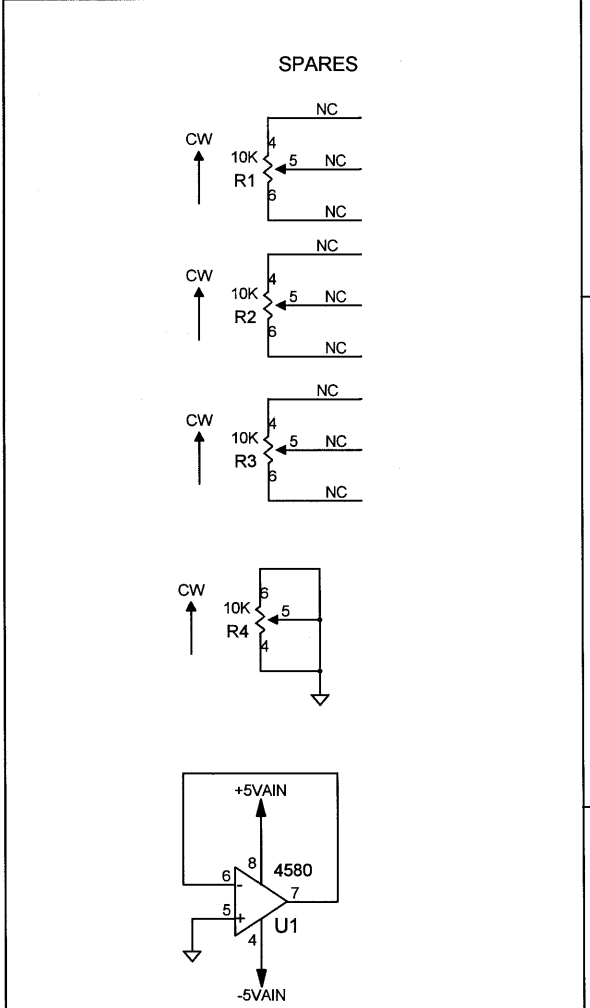
2 LAST REFERENCE DESIGNATORS USED:
D36, J2, SW19

CONTRACT NO.		lexicon		3 OAK PARK BEDFORD, MA 01730	
APPROVALS	DATE	TITLE			
DRAWN BAC	1/2/97	SCHEM. SWITCH ASSY, MPX G1			
CHECKED CW	1/6/97	SIZE B	CODE	NUMBER 060-11568	REV 0
Q.C. CW	1/6/97	FILE NAME			
ISSUED BAC	1/6/97	11568-0.1	SHEET	1 OF 1	

1-7-1997_10:34



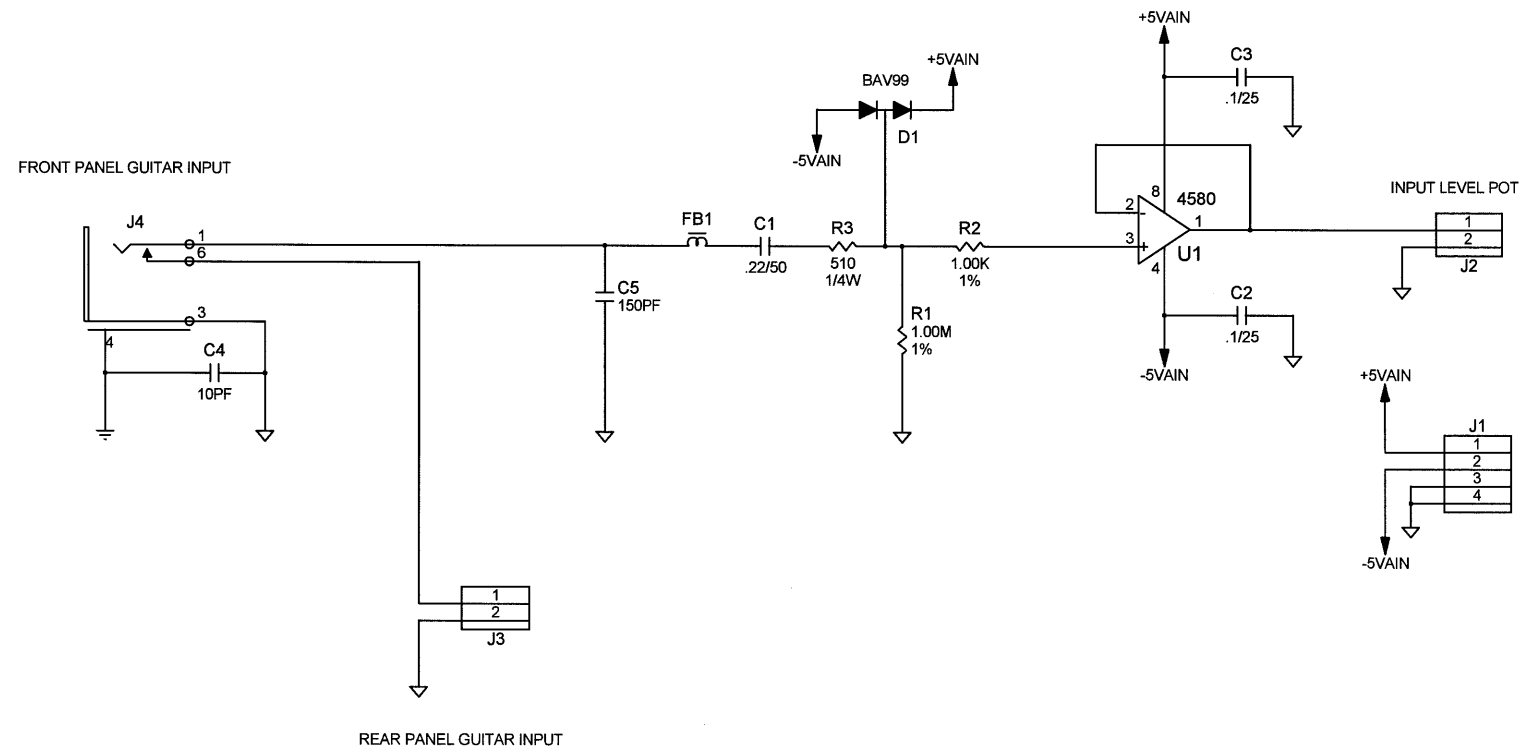
REVISIONS			
REV	DESCRIPTION	DRAFTER CHECKER	Q.C. AUTH.
1	CREATED SEPARATE SCHEM FOR FP BDS PER DCR 980121-01	RWH 1/22/98	CW 1/27/98
		SLM 1/27/98	BAC 1/27/98



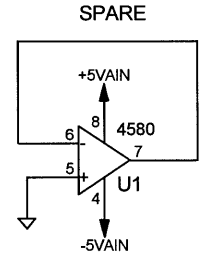
- NOTES**
- UNLESS OTHERWISE INDICATED, RESISTORS ARE 1/10W
 - UNLESS OTHERWISE INDICATED, RESISTORS ARE 5%
 - UNLESS OTHERWISE INDICATED, CAPACITORS ARE UFV
 - DIGITAL GROUND
 ANALOG GROUND
 CHASSIS GROUND
 POWER GROUND
 - LAST REFERENCE DESIGNATORS USED: C3, D2, J4, R5, U1
 - NOT POPULATED: R5

CONTRACT NO.		lexicon		3 OAK PARK BEDFORD, MA 01730	
APPROVALS	DATE	TITLE			
DRAWN RWH	1/22/96	SCHEM,FP POT BD,MPX G2			
CHECKED BAC	1/22/96	SIZE B	CODE	NUMBER 060-12883	REV 1
Q.C. CW	1/23/96	FILE NAME			
ISSUED BAC	1/23/96	12883-1.1	SHEET 1 OF 1		

1-28-1998_10:06



REVISIONS			
REV	DESCRIPTION	DRAFTER CHECKER	Q.C. AUTH.
1	CREATED SEPARATE SCHEM FOR FP BDS PER DCR 980121-01	RWH 1/22/98 SLM 1/26/98	CW 1/26/98 BAC 1/27/98



- NOTES
- 1 UNLESS OTHERWISE INDICATED, RESISTORS ARE 1/10W
 - 2 UNLESS OTHERWISE INDICATED, RESISTORS ARE 5%
 - 3 UNLESS OTHERWISE INDICATED, CAPACITORS ARE UF/V
 - 4 DIGITAL GROUND ANALOG GROUND CHASSIS GROUND POWER GROUND
 - 5 LAST REFERENCE DESIGNATORS USED: C5,D1,FB1,J4,R3,U1

CONTRACT NO.		lexicon		3 OAK PARK BEDFORD, MA 01730	
APPROVALS	DATE	TITLE			
DRAWN	RWH 5/22/96	SCHEM,FP INPUT BD,MPX G2			
CHECKED	BAC 5/22/96	SIZE	CODE	NUMBER	REV
Q.C.	CW 5/23/96	B		060-12892	1
ISSUED	BAC 5/23/96	FILE NAME		SHEET 1 OF 1	
		12892-1.1			